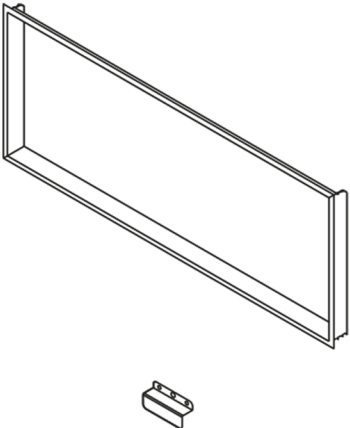


# Electric Fire Trim Installation

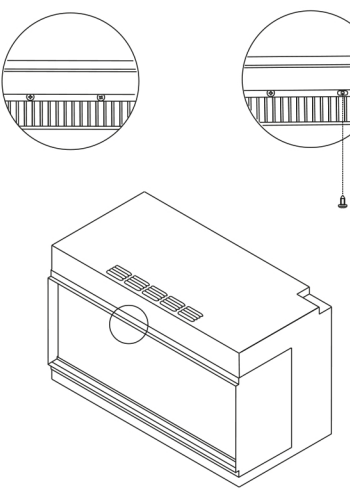
TO BE INSTALLED AFTER THE FIRE IS FITTED AND THE FUEL BED HAS BEEN SET UP.

1



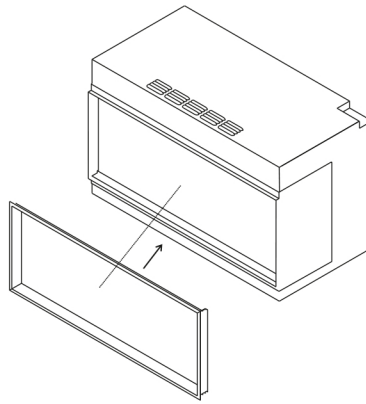
Contents: 1 x Trim, 1 x Trim Bracket.  
Note that the trim bracket is small, so ensure it is collected from the packaging.

2



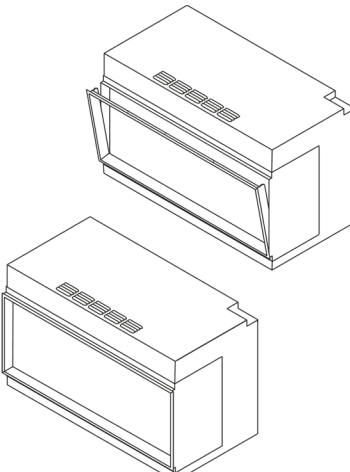
Identify the screw detailed above, located in front of the heater outlet grill, and remove it. Keep aside for later.

3



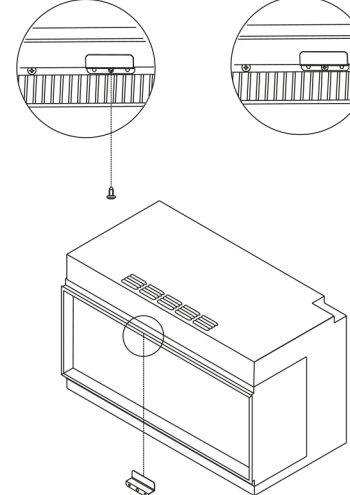
Offer the trim to the fire, ensuring the correct orientation - the top of the trim has a shallower return than the bottom.

4



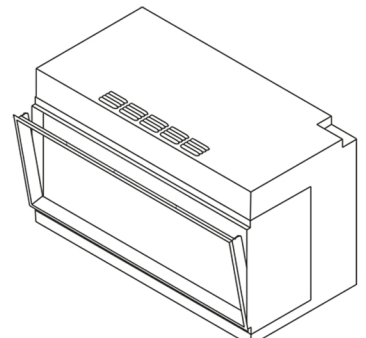
Position the bottom edge of the trim into the opening of the fire until it rests in front of the glass. Then push the the top edge inwards. Gently push all four corners of the trim to ensure a snug fit.

5



Take the small trim bracket and secure it to the fire using the screw removed earlier. The bracket is used to hold the centre of the trim up, not pull it towards the fire.

6



For future access to the fuel bed or for glass removal from the fire, simply pull the trim away from the fire (top edge first). There is no need to remove the trim bracket.