

vision
trimline

INSTALLATION INSTRUCTIONS.
FOR MODELS TL70SL WITH
INTEGRATED HEAT BOX



Integrated Heat Box Trimline 70 SL

INSTALLATION INSTRUCTIONS

1 INSTALLATION INSTRUCTIONS

NOTE!

The installation may only be carried out by a suitably competent person holding the relevant qualifications as deemed by the regulatory body.

General instructions

- The gas appliance must be installed, connected and inspected as a closed unit by a qualified engineer, according to national, regional, and local standards and regulations.
- The flue/chimney system and the termination point on the outer wall or roof face must also meet the requirements outlined in the applicable British standards and regulations.
- The temperature of the walls and shelves near the side and back of the unit may not be more than 60°C higher than the ambient temperature. The unit has been approved in combination with the concentric flue system THC/Holetherm CC Ø100/Ø150 mm, in accordance with European CE standards for gas units, and may therefore only be applied with this system.
- The unit needs to be inspected by the engineer for local gas distribution network (gas type and gas pressure) as indicated on the data badge on the appliance.
- The instructions are only applicable if the relevant country code is stated on the unit.
- If this is not the case, the gas technical information for the relevant country needs to be consulted and modifications discussed with the manufacturer.
- There will be air in the gas supply pipe when the unit is first used. Therefore, the gas pipe would need to be purged in accordance with the British standards.
- Lighting the appliance – in accordance with the operating instructions and check whether the burner flame is uniform. After the unit has been used for the first time, any deposits resulting from convection-curing of the unit must be removed from the glass pane using a glass cleaner for heaters. The appliance should be operated at max for a duration of at least 30 mins but not limited to in order to achieve the optimum removal of any deposits.

Distance to heat radiation area:

A distance of 1200 mm is advisable from the top third of the appliance to curtains, coverings and fabrics or any combustible material unless otherwise stated within these instructions. Any encroachment of this distance must be adequately risk assessed by the engineer.

Distance from flammable materials:

The unit needs to be placed a minimum distance of 10mm from the wall unless stated otherwise in these instructions.

WARNING

Gas fires become hot when in use. After installation of the unit, the glass surface is considered to be an active zone. The glass surface can become very hot! Caution! Therefore you should take care, for example, by keeping children and those requiring help away from the immediate vicinity of burning fires. Gas fires must not be placed on or against flammable materials (curtains, etc.).

For flammable walls and conversions, always use the Integrated Heat Box

NOTE!

Construction material for fireplaces and mantles, etc., or for an assembly can be made from refractory material. This also applies to floors and ceilings. Follow the instructions above and never use flammable materials near the unit.

Please contact your supplier if you are unsure.

2 INSTALLING THE UNIT

For the gas connection and flue configuration and termination, please refer to the Instruction manual supplied with the Trimline 70 SL.

What is the Integrated Heat Box Trimline 70 SL?

This appliance has been developed for use in an environment containing combustible materials. (This fireplace has been tested in a chipboard surround finished with wallpaper.)

Included

- Integrated Heat Box
- Frame A Integrated Heat Box
- Frame B Trimline 70 SL width trim
- Flue gas reflector
- Cover strips

Thermocet International B.V.
Laagerfseweg 31
3931 PC Woudenberg
The Netherlands
www.thermocet.com



Remove the Integrated Heat Box Trimline 70 SL from the packaging and check for defects. If you find any defects, report this to your retailer immediately.

Building the Integrated Heat Box Trimline 70 SL in

- Take out one of the four rupture disks for installation of the gas supply. **1**
- Mount the flue reflector to the Integrated Heat Box.
- The reflector will need a space of 25 mm around the pipe through the wall. **7**
- Hang the Integrated Heat Box 10 mm free from the wall with the mounting brackets. There are 4 screw holes in the bottom to secure the Integrated Heat Box. **6** *

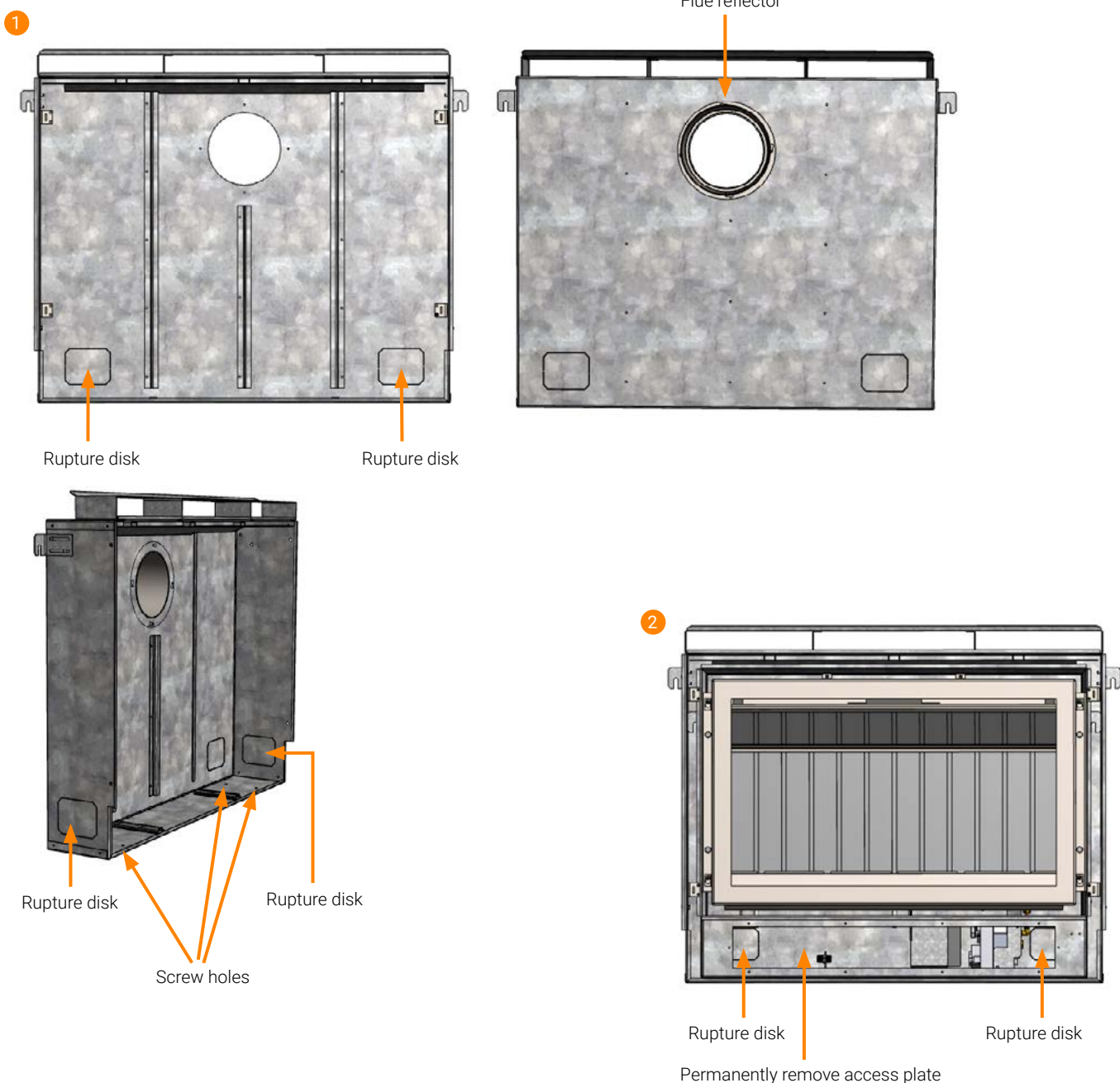
NOTE!

Screws may not be placed behind the Integrated Heat Box due to the heat transfer. **6 7**

- The flue reflector can be shortened and should be kept level to the outside wall.
- The Trimline 70 SL can now be placed in the Integrated Heat Box. Note: permanently remove the access panel at the front. **2** Slide the Trimline into the box. Insert the gas supply through the rupture disk opening. See manual Trimline 70 SL for the further connection requirements.

NOTE!

Remove all rupture disks from the Trimline 70 SL for the convection circulation. **2**

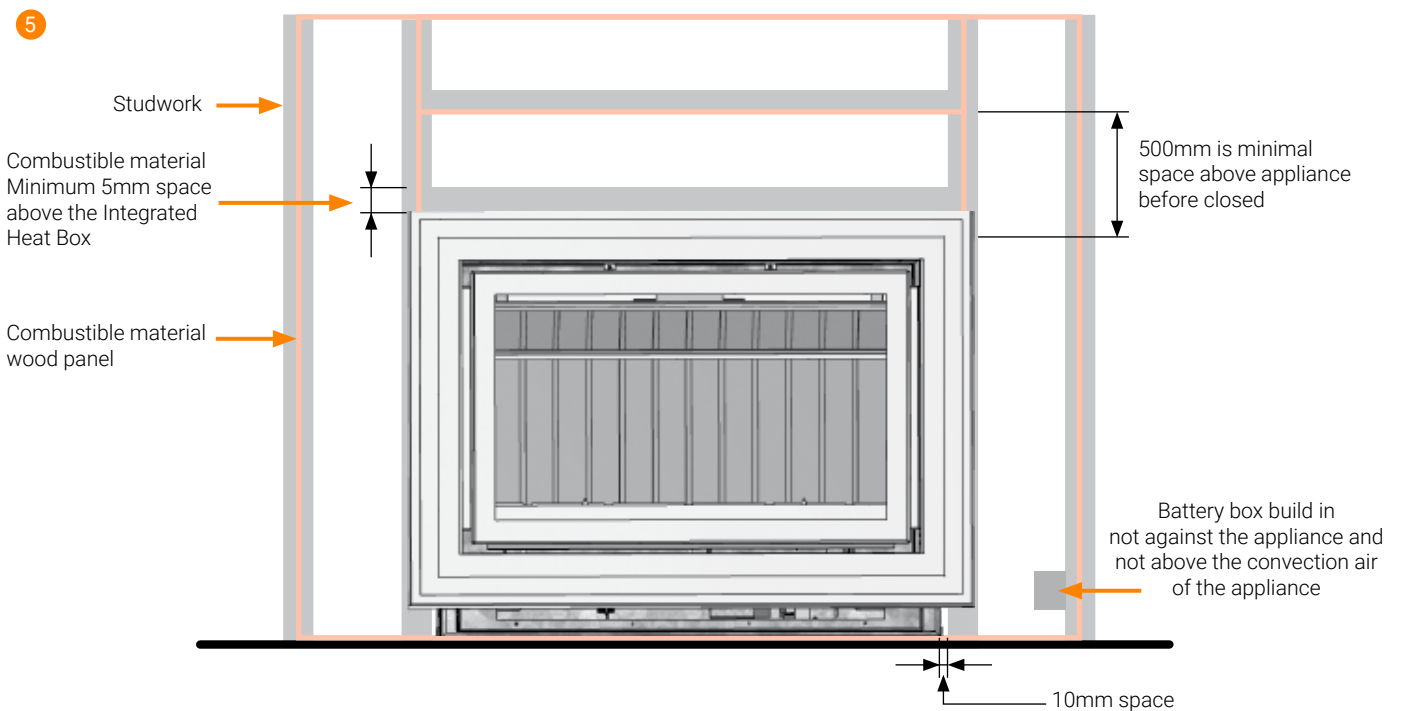
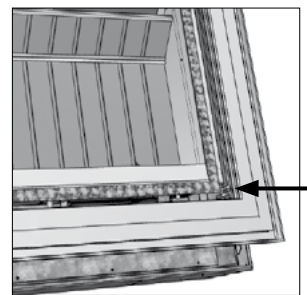
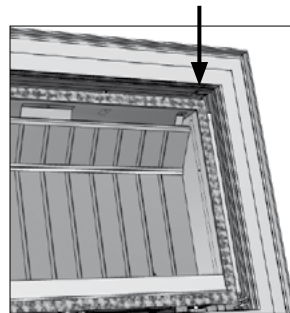
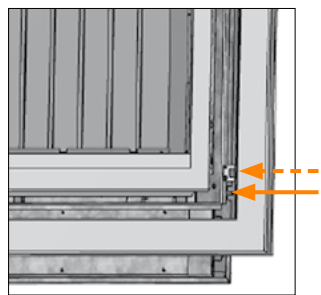
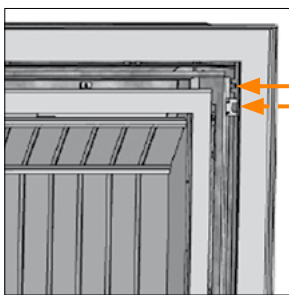
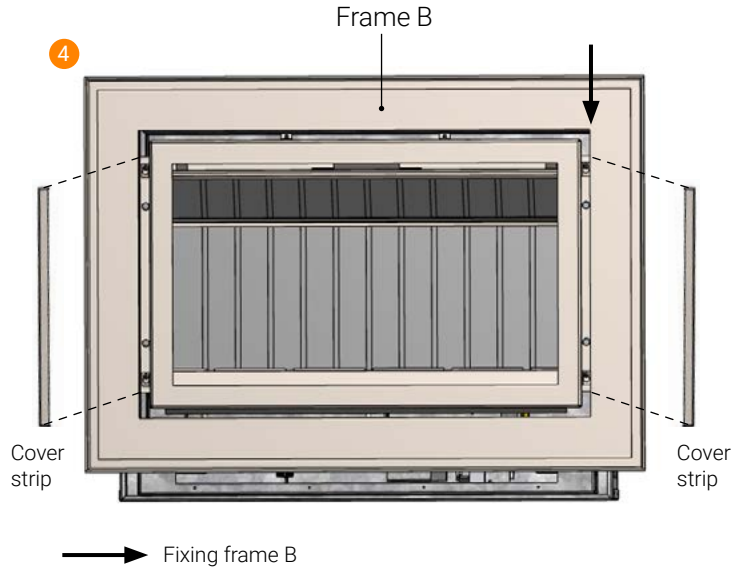
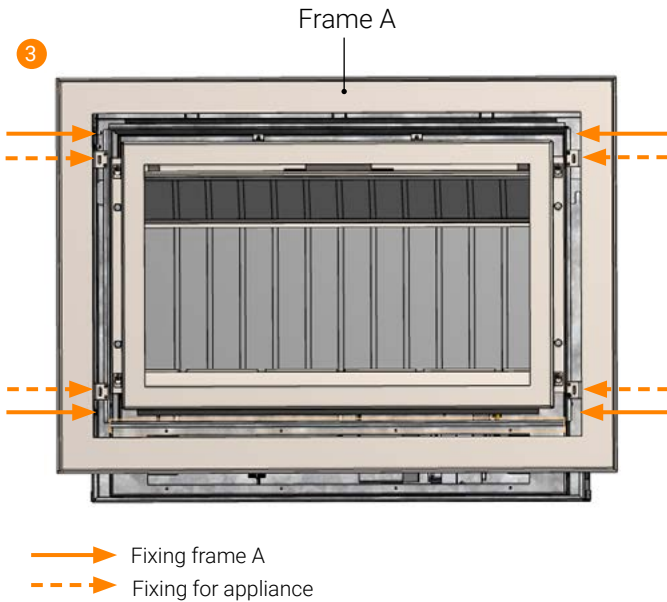


- Then assemble frame A. This frame has 4 mounting points. **3**
Then install the frame on the Trimline 70 SL. **4**
Now connect the flue pipe.

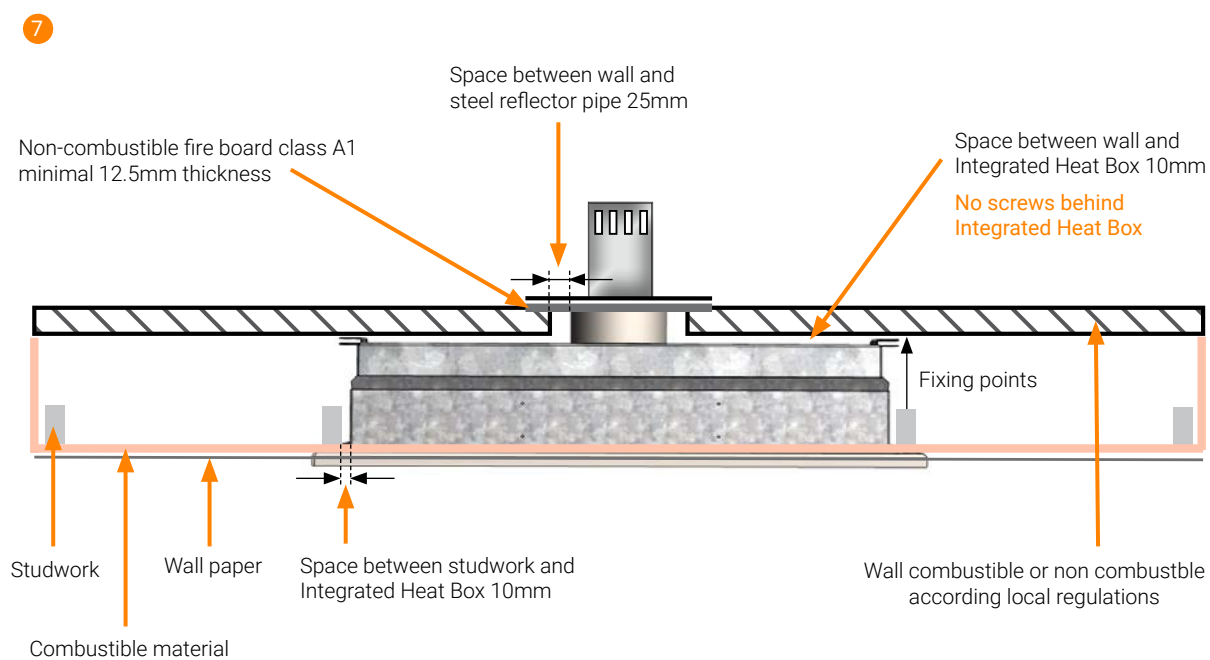
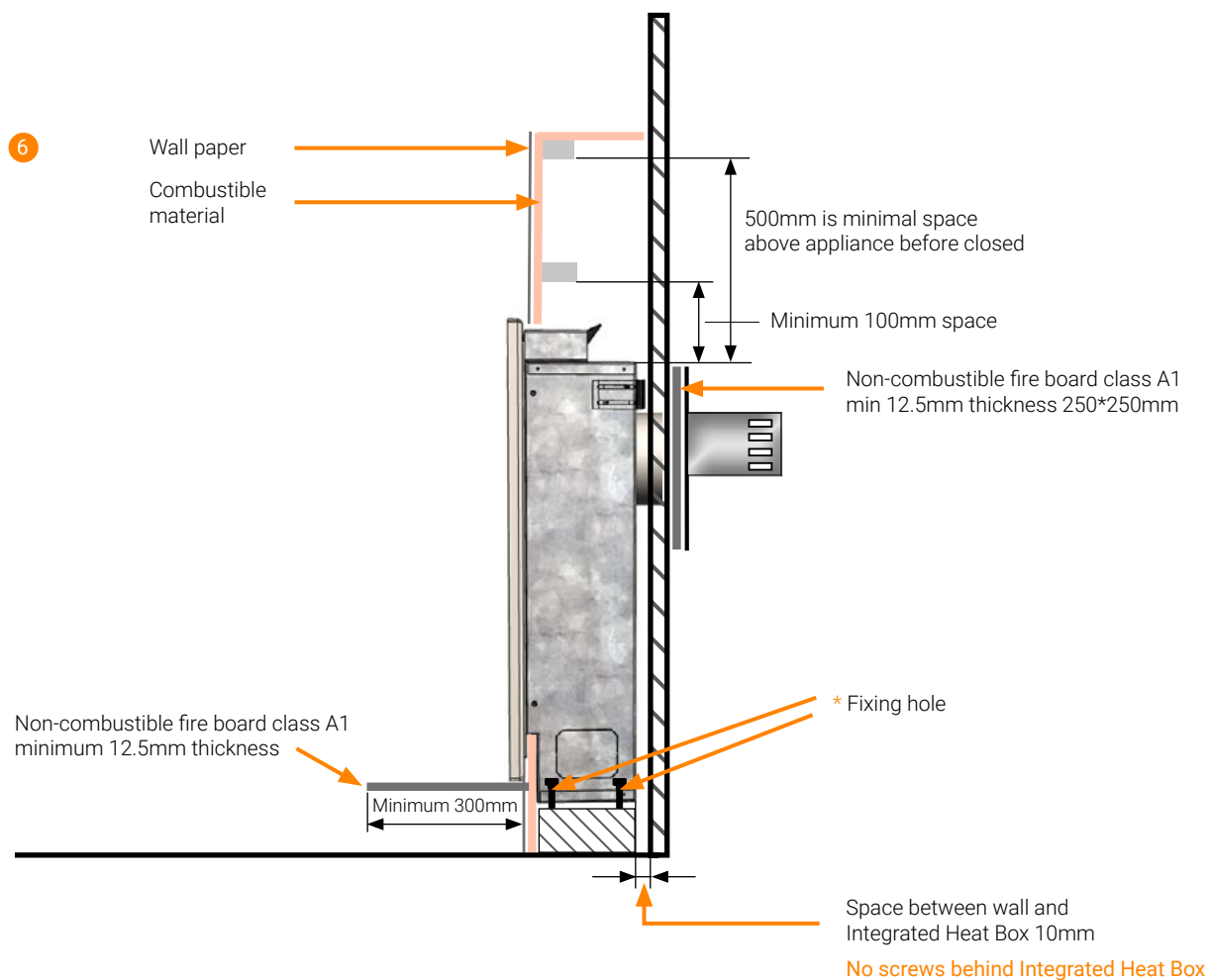
NOTE!

If the Trimline is not yet fixed, and the flue pipe is installed, the fireplace can tilt out of the box.

- When everything is in place, the conversion construction can begin around it. **5 6 7**
- Should a flue reflector be installed, a refractory plate between the outer wall and the wall duct must be placed on the outside of the wall against radiant heat. **7**
- Now mount frame B. Dismantle the frame with glass before putting frame B in place. Apply the supplied cover strips on the magnets. **4**



Examples of setup



Dimensions (mm)

