



vision
trimline

INSTALLATION INSTRUCTIONS.
FOR MODELS TL100P/TL120P/TL140P

CONTENTS

1	INSTALLATION INSTRUCTIONS.....	3
1.1	General instructions.....	3
2	PLACING THE APPLIANCE.....	3
2.1	Connection the gas lines.....	3
2.2	Preparation and installation.....	3
2.3	Installing gas control GV60.....	4
3	PLACEMENT OF THE CERAMIC LOG.....	4
3.1	Fitting the ceramic log set.....	5
3.2	Installation of the front window.....	5
4	TECHNICAL DETAILS GV60.....	6
5	INSTRUCTIONS FOR MERTIK MAXITROL GV60 GASCONTROL.....	7
6	GAS TECHNICAL DATA.....	8
7	CONCENTRIC CHIMNEY LAY OUT.....	14
8	CONCENTRIC FLUE SYSTEM.....	15
8.1	Components of the concentric flue system.....	15
8.2	Construction of concentric flue system.....	15
8.3	Installation instructions regarding existing flues.....	15
8.4	Parts.....	16
8.5	Installation.....	16
9	TERMINAL POSITIONS AND CORRECT FUNCTIONING.....	17
10	CLEANING AND MAINTENANCE.....	18
11	QUICK REFERENCE GUIDE FOR FAULTSSEARCH FOR ENCLOSED GAS FIRES USING MERTIK GV60 GASCONTROL.....	19
Appendix 1	DIMENSIONAL DRAWINGS.....	21
Appendix 2	BUILT-IN EXAMPLES.....	22
Appendix 3	INSTALLATION EXAMPLES REGARDING FLUES.....	23
Appendix 4	PREPARATION AND INSTALLATION.....	24
Appendix 5	PREPARING GAS CASSETTE GV60 FOR INSTALLATION.....	25
Appendix 6	FITTING LOG SET.....	27
Appendix 7	PLACING THE OPTIONAL BLACK GLASS.....	29
Appendix 8	EXPLODED VIEW AND SPARE PARTS.....	31

Thermocet International B.V.
Laagerfseweg 31
3931 PC Woudenberg
The Netherlands
www.trimlinefires.com

Modifications and printing errors are reserved.

V151019



1 INSTALLATION INSTRUCTIONS

NOTICE

The installation should be performed only by an authorized gasfitter

1.1 General instructions

- The gas fireplace must be installed, connected and inspected as a balanced flue fire by a qualified fitter, according to national, regional, and local standards and regulations.
- The flue system and the terminals in the outer wall or roof face must also meet the requirements outlined in the applicable standards and regulations.
- The temperature of the walls and shelves near the side and back of the unit may not be more than 80 K higher than the temperature of the environment. For example, ambient temperature 20 °C plus 80 K gives a maximum temperature of 100 °C.
- The unit has been approved in combination with the concentric flue system THC/Holetterm CC Ø100/Ø150mm or Ø130mm/Ø200mm in accordance with European CE standards for gas units and may therefore only be applied with this system.
- The product needs to be serviced and inspected by the fitter for local gas distribution as indicated on the identification plate.
- The instructions are only applicable if the relevant country code is stated on the unit. If this is not the case, the gas technical information for the relevant country needs to be consulted and modifications discussed with the manufacturer.
- There will be air in the gas pipes when the unit is first used. The gas pipes therefore need to be purged first.
- Ignite the fire without a window for the first time.
- Ignite the fire according to operating instructions and check whether the burner flame is uniform. After the unit has been used for the first time, you should remove any deposits

resulting from running/burning in the paint, using a glass cleaner for heaters.

NOTICE

Cleaning AR glass see chapter 10 *Cleaning and maintenance*.

Distance to flammable materials:

With respect to the front, side and top of the unit, a distance of 1000mm needs to be kept between the unit and: curtains, floor covering, upholstery and fabrics, and/or other flammable material unless stated otherwise in these instructions.

Distance to non-flammable materials:

The unit needs to be placed a minimum distance of 25mm from the wall unless stated otherwise in these instructions.

WARNING

Gas fires become hot when they are in operation. After installing the appliance the glass surface is considered active zone. The glass surface can become very hot!

Attention! Accordingly, care should be taken, for example children and needy in the vicinity of burning fires are banned. Gas fires must not be on or against flammable materials are placed (curtains etc.).

Never install the unit against or within a flammable wall!

NOTICE

Construction material for fireplaces and mantles etc. or built-in situation, must be made of non-combustible material. This also applies to floors and ceilings. Never use flammable materials near the unit in compliance with the above requirements.

If in doubt, consult your dealer.

2 PLACING THE APPLIANCE

NOTICE

Before installing the device it is recommended to first read Chapter 8 *Concentric flue system*.

2.1 Connection the gas lines

You can determine where the gas pipes will be placed, depending on the positioning of the appliance. Ensure control equipment is not twisted during installation and there is no excessive tension.

Accessibility of various connection points in relation to components need to be maintained. After installation, check the connections for gas leakage. Use a 3/8" gas tap in the main gas supply. Ensure the gas pipes are dirt-and sand-free. The gas connection should only be done without any excessive tension in the tubes etc. This prevents any damage occurring to the gas control equipment.

2.2 Preparation and installation

APPENDIX 4

- Remove the packaging and check the unit for possible damage.
- The packaging contains the following components:
 - Unit
 - Remote control
 - Log set
 - Glowing material
 - 4 x AA battery
 - 2 x AAA battery
 - Installation manual
 - User manual
 - Restriction
 - Suction cup
 - Lifting brackets
 - Adjustable feet
 - Finishing plates

Before removing the unit from the packaging, first check whether everything is whole and complete. You must then read and understand the installation manual before starting the installation.

NOTICE

Place the unit on a stable surface.

See pictures in APPENDIX 4.

- Do not place the unit on its back or side as long as the added parts are in the device.
- Place the unit at the installation location.
- You can use the lifting brackets supplied with each appliance ①.
- The window should now be removed in order to take the additional parts out of the unit.
- Remove the decorative frame on the bottom side of the window.
- Loosen the screws holding the bottom and top glass holders ②.
- Front version Trimline 83, remove the bolts with clips at the side glassholders and also the glassholders.
- Place the suction cup(s) in the middle of the glass-panel and remove the panel by GENTLY moving this first upwards and then the lower edge of the panel very carefully and slowly pulling toward you ③. Then place in a safe place where the window can not be broken or damaged.
- If the removed glass panel shown damage (scratches and/or damaged edges) do not use the glass panel and alerting the supplier.
- Next, take all the packaged components out of the unit and check to make sure they are not damaged or broken.
- Situate the unit APPENDIX 2. The device must be attached directly to the rear wall (mounting material not included) ④.
- The legs of the device can be adjusted. (Min 150mm and Max 455mm) ⑤
- The adjustable feet allow to adjust the device more refined.
- Build the gas cassette in the self-assessed surround/casing. The distance between the gas cassette and the unit is determined by the cable lengths of which control cabinet to the pilot burner and the gas control etc. Max.1500mm.

Before building in the gas cassette first install the gas control inside, see 2.3. *Installing gas control GV60.*

- Install the supplied convection grilles at least 500mm below the ceiling APPENDIX 3 on the appropriate wall. A lowered ceiling inside the whole structure could be a possible solution in the event of a very high space inside this structure.

NOTICE

Temperature of the exhaust grilles could reach over 100°C. Caution is therefore needed.

2.3 Installing gas control GV60

APPENDIX 5

The complete gas control is fitted under the gas unit. The gas valve including the burner control must be fitted by the installer in the gas cassette. The step by step procedure:

- After the window is taken away and parts inside the gas fire are taken out; place the complete gas fire care fully on the backside ①. You can use the wooden pallet to support the gas fire.
- Cut the binders and loosen and unroll the various lines and cables. ②
- Remove the screw holding gas valve bracket ③ and CAREFULLY take away the gas valve and move it to the side of the gas fire where you want to install the gas cassette.
- Install the gas valve including bracket inside the gas cassette and secure it in the position indicated using the 2 wing nuts.
- Slide the receiver including the bracket into the gas cassette and also secure it as indicated ④ ⑤ ⑥
- Place the entire gas cassette into the surround/casing of the gas fireplace. Be aware of the maximum distance between gas fire and gas cassette limited by the length of thermocouple etc. ⑦
- Make sure the tubes, ignition cable and thermocouple without tension and sharp bends provided, this must be avoided at all times. Make sure the spark plug cable is free from metal parts. ⑧

3 PLACEMENT OF THE CERAMIC LOG

- Remove the deco plate and double burner out of the burning chamber.
- Loosen the screws holding the bottom and top glass holders. APPENDIX 4 ②
- Place the suction cup(s) in the middle of the glass-panel and remove the panel by GENTLY moving this first upwards and then the lower edge of the glass-panel very carefully and slowly pulling toward you. Then place in a safe place where the window can not be broken or damaged. APPENDIX 4 ③
If the removed glass panel is damaged (scratched and/or damaged edges) then no longer use the glass panel and contact your dealer.

NOTE

When installing the log and the various glowing materials, the following must be taken into account:

- A No glowing material in or on the pilot burner.
- B Prevent that ceramic material falls on the glass seals. Remove this if necessary. The window can be damaged.
- C Slot/opening between burner and mesh deco plate must be kept free of glowing material. Too much placed glowing material can affect the combustion process.

NOTICE

Make sure the pilot light remains unobstructed from any material.

3.1 Fitting the ceramic log set

APPENDIX 6

- Mix the glowing material (lava granules) and the ‘fusilli’ (spiral-shaped ceramic material) and spread them evenly over the burner and the burner plate so that they are just covered. Glowing embers can be placed here and there as decoration. Make sure the pilot light remains unobstructed.
- Place the ceramic wood blocks in the correct order.

APPENDIX 6

- Place the logs carefully. Other location can seriously affect the flames or malfunction of the burn process (sooting)
- Before replacing the windows make sure if there must be a restriction plate to be placed or not.
- See chapter 7 *Concentric chimney lay out*. If there is a restriction required for your situation, remove the baffle plate by unscrewing it from the front of the plate and move the plate backwards and then out. APPENDIX 4 6
- Now install the restriction plate with two screws and replace the baffle plate. APPENDIX 4 6
- Now place the window in reverse order as described at chapter 2.2 *Preparation and installation* en APPENDIX 4.
- Light the fire and check that the pilot flame and burners ignite smoothly and that the flame spreads evenly along the logs. If this is not the case, the position of the logs must be checked or adjusted.

NOTICE

The baffle plate is not replaced in certain flues routes, see chapter 7 *Concentric chimney lay out*.

3.2 Installation of the front window

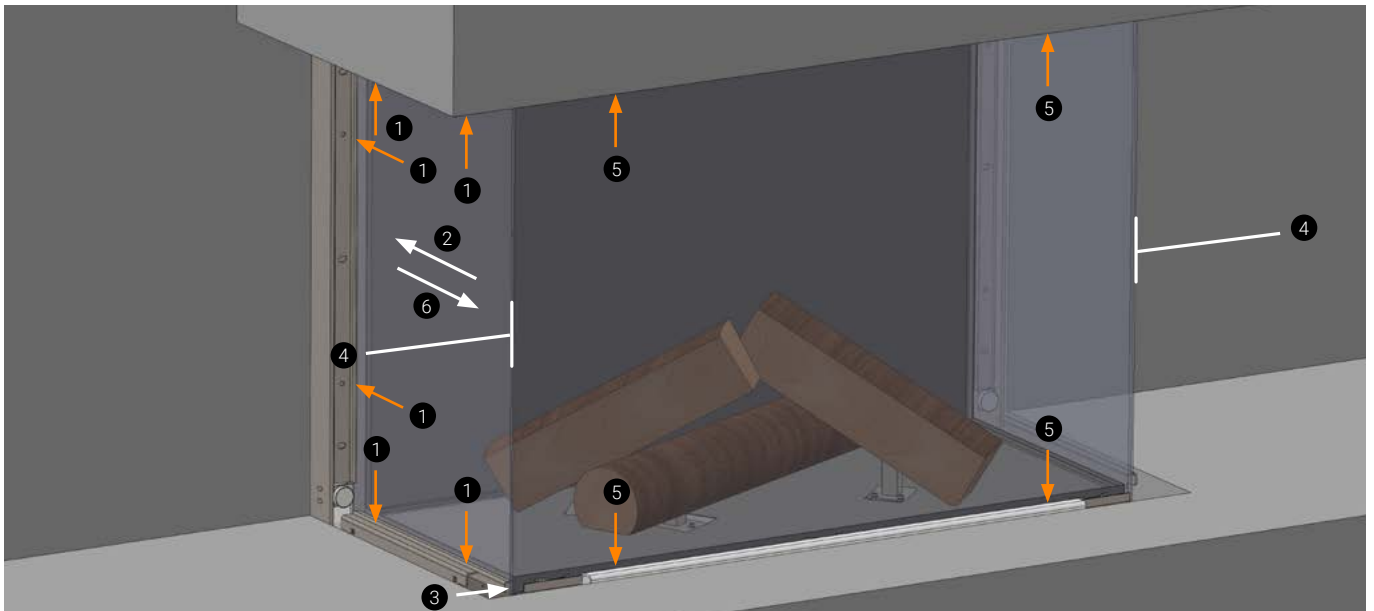
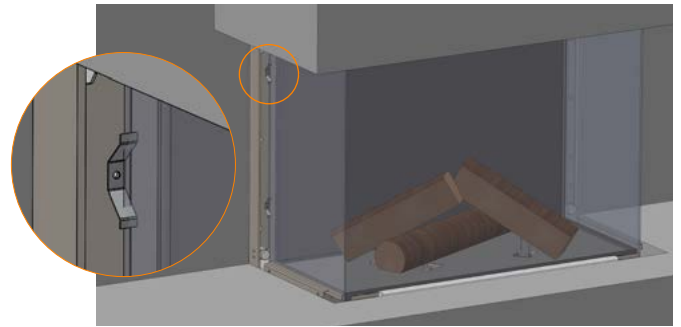
NOTICE

Take care when installing the front window to avoid breakage! The side window is held against the front window by spring pressure. When the front window is removed, the side window can inch forward under the influence of this spring pressure.

To avoid this, proceed as follows to replace the front window:

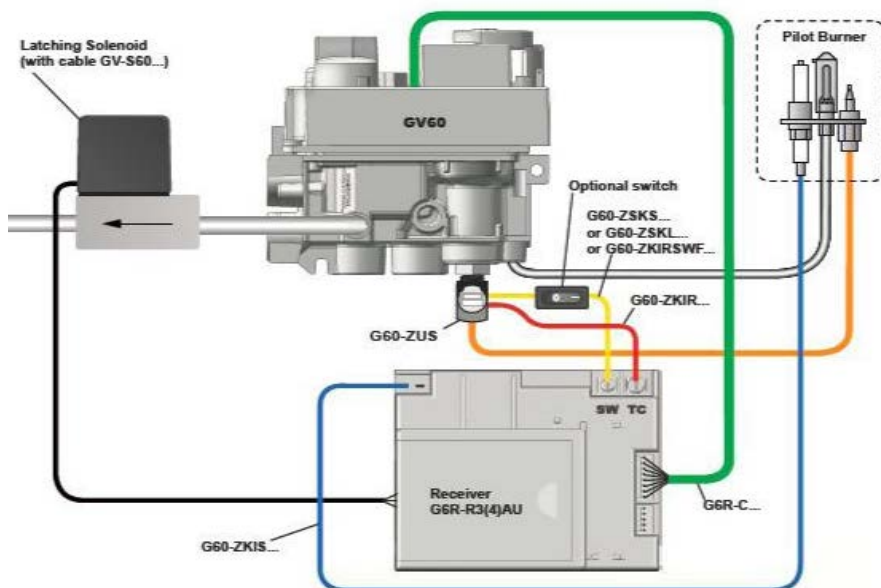
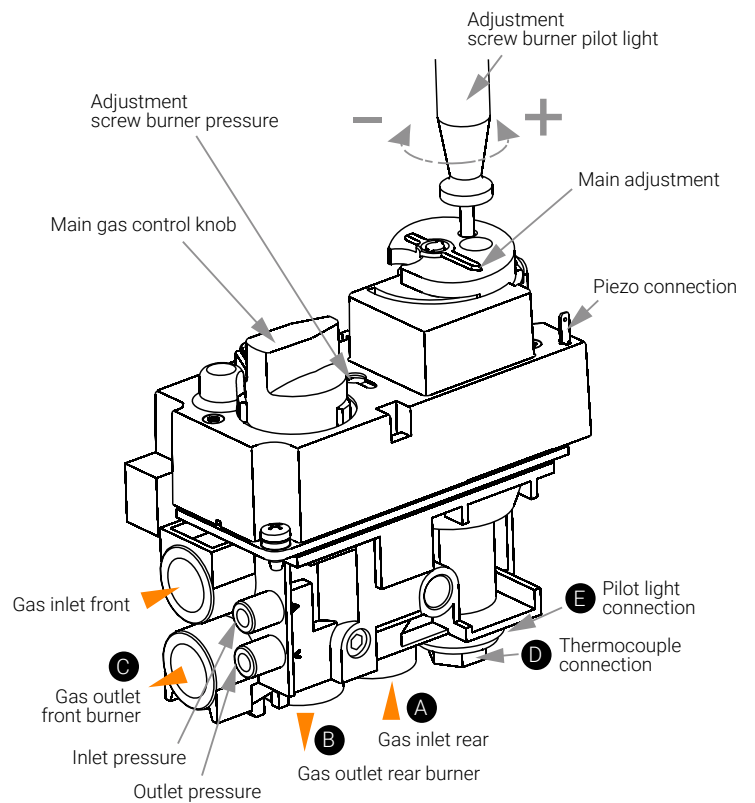
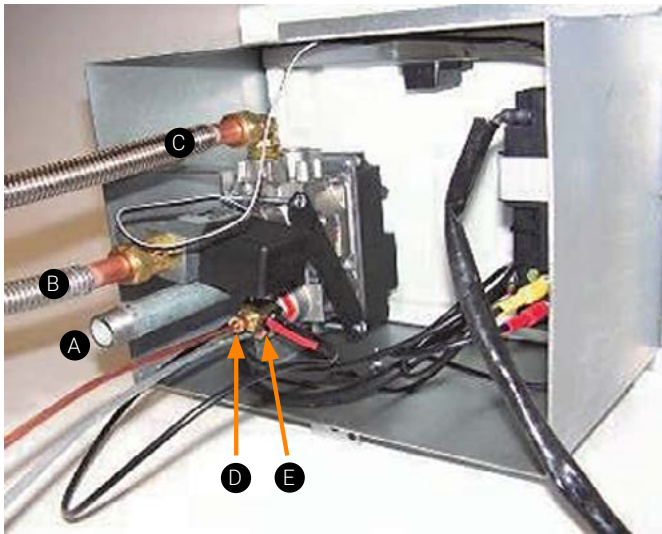
- The side window does not need to be removed, but it does need to be pushed back.
- Loosen the screws retaining the side window glass holders 1 (do not remove the glass holder), or remove the spring-loaded glass holder*.
- Place the suction cup on the side window and slide it backwards against the spring pressure 2, until it lies behind the plane of contact with the front window. 3
- Clamp the side window(s) by tightening the glass holder screws or by installing the spring-loaded glass holder*.
- Make sure the seals are complete, intact and clean.
- Place the front window and make sure it lines up with the side window(s). 4
- Securely clamp the front window by tightening the glass holder screws 5 or by installing the spring-loaded glass holder*.
- Loosen the side window(s) by unscrewing the glass holder screws (do not remove the glass holder) or by removing the spring-loaded glass holder. 1
- Carefully slide the side window(s) forward using the suction cup provided 6. Check that the side windows butt neatly against the front window.
- Hold the side window against the front window and now clamp the side window securely by tightening the glass holder screws or mounting the spring-loaded glass holder*.
- Replace the decorative frames.
- Check again that the fire ignites properly.

* Depending on the version.



4 TECHNICAL DETAILS GV60

Gas valve type	Mertik GV60
Burner control	B6R R8U (WiFi-Ready)
Ignition	Remote control operation and Piezo ignition
Gas connection	3/8" (External) A = Gas inlet B = Gas outlet rear burner C = Gas outlet front burner D = Thermocouple connection E = Pilot burner connection
Unit category	C11-C31-C91
Pilot flame	SIT 3 flames
Security	Thermocouple principle



⚠ WARNING
Sealed parts must not be adjusted.

5 INSTRUCTIONS FOR MERTIK MAXITROL GV60 GASCONTROL

⚠ WARNING

It is forbidden to start up the unit if window(s) is not present or broken!
Ensure that the fuel supplied to the unit is clean and free from particles and moisture

Before a gas supply pipe (new or existing) is connected to the main gas pipe at the gas meter and to the gas control block of the unit, clean and dry compressed air should be blown through it. Cut copper pipes as well as aluminium pilot pipes must be deburred and blown clean before they are connected. The dust filter at the connection to the gas control block will only filter out the coarsest dirt from the system. Fine particles are still able to reach the inside and may damage and/or adversely affect regulation in the gas control block .

Heat, moisture and dust are a threat to all electronic components

Protect the electronic gas control until all construction, plastering and paintwork has been completed. If such work cannot be avoided, then protect the control against dirt and moisture penetration by using, for example, plastic film.

⚠ WARNING

Electronic components will become permanently faulty when exposed to temperatures higher than 60°C. Standard AA batteries will crack open at temperatures >54°C and the battery contents will damage the electronic switches located underneath. Batteries last longest at <25°C. At >50°C the life span is around 23 weeks.

Only install the gas control block and receiver as pre-installed at the factory.
Remember that components may have to be replaced or that repairs may have to be performed at a later date. This may be more difficult if the control is installed using a method that is different from the instructions provided here.

Only place the batteries AFTER WIRING to the receiver, gas control block and pilot set is connected.

Premature connection to the energy source may damage the control's CPU (central processor).

Ensure that the ignition cable is not near the antenna wire and that they do not cross each other.

The high voltage released at ignition may damage the sensitive receiver circuit. This may mean that the unit becomes less responsive or not responsive at all to handset commands.

🔧 NOTICE

Do not tighten the contact breaker and the thermocouple connection too tightly on the gas control block or to each other.
It is sufficient to tighten by hand and add a half a turn with an open-end spanner. Tightening too much will break the connection to the magnetic coil below and/or the insulation around the aluminium contact pin in the contact breaker. This may lead to the magnetic coil not opening the gas supply to the pilot and the unit not working.

Extend the supplied thermocouple with just the original extension. (Available from your supplier)
Unauthorized extension of the thermocouple has the effect of stress reduction, thereby the magnetic coil can not be activated.

Prevent leakage of the ignition spark to other parts of the installation than the Ignition by the pilot. Keep the ignition free of hull or other metal parts. If cable extension is used, see to it that connections are additionally insulated with silicone grommet.

For automatic start via the transmitter, the receiver and the control the gas control valve to be switched. The oval disk on the gas control block should be turned to the **ON** position. The **I/O** switch should be set to **I**. The ignition must be connected to the receiver box at the terminal **SPARK**.

The transmitter contains the thermostat sensor system and operates best at 2 to 3m from the unit. Although the communication via short wave radio signals takes place, it is recommended that the transmitter in the 'visibility' of to lay the gas apparatus in a place where the user wants to experience a pleasant temperature. Place the hand transmitter in direct sunlight or other hot places. The thermostat measures the temperature and regulates the flame size of the gas in accordance.

🔧 NOTICE

Sealed parts may not be adjusted. Warranty ends.
Waiting time of 5 minutes between each starting attempt.
Remove batteries only with the red ribbon which is under the battery, not with metal tool.
Removing batteries with a metal object, the electronic control can permanently damage.

6 GAS TECHNICAL DATA

Type of indication(s)		Trimline 140 Panoramic/Corner (1140/1141/1142)			
Appliance		C11, C31, C91			
Concentric flues system		Holetherm CC 100-150			
Gastype		25,3	G20/25	G20	G20/25
Prepressure in mBar		25	20	20	20/25
Country		NL	DE	AT/CH/CY/CZ/DK/EE/ES/FI/ FR/GB/GR/HR/IE/IT/LT/LU/ LV/NO/PT/RO/SE/SI/SK/TR/ DE/NL/PL/RO	BE/FR
Category		I ₂ EK I ₂ (43,46-45,3 MJ/m ³)	I ₂ ELL	I ₂ H/-/I ₂ E	I ₂ E+
Primary air		2xØ6	3xØ8	3xØ8	3xØ8
Pre pressure	mbar	25	20	20	20/25
Burner pressure high	mbar	20,9	16,64	16,73	16,73/20,7
Burner pressure low	mbar	5,07	4,1	4,13	4,13/5,07
Injector size	Ø mm	2,3	2,2	2,2	2,2
Inj. Pilot burner	CODE	51	51	51	51
Low settings size	mm	2,2	2,2	2,2	2,2
Load Hs	kW	15,3	13,31	16,14	16,14
Load Hi	kW	13,7	11,98	14,54	14,54
Consumption	m ³ /h	1,66	1,47	1,53	1,53
Nom. Power high	kW	10,7	8,9	11	11
Nom. Power low	kW	4,3	3,5	4,8	4,8
NOx EN613	class	5	5	5	5
Efficiency Class EN613		2	2	2	2
Useful output (NCV) system **					
At nominal heat output	%	77	77	76	76
At minimal heat output	%	66,81	66,81	62	62
Additional electricity consumption					
Nominal	kWh	0	0	0	0
Stand-by	kWh	0	0	0	0
Energy efficiency ***					
Energy efficiency index	EEL	78	75	77	77
Energy label		C	D	C	C
NOx Hs	mg/kWh	<130	<130	<130	<130
Type of heat output/room temperature control					
Indirect heat functionality					No
Single stage heat release, no room temperature control					No
2 or more manually adjustable stages, no control of the room temperature					No
With mechanical control room temperature by thermostat					No
With electronic control of the room temperature					Yes
With electronic control of the room temperature plus day-time switch					Yes
With electronic control of the room temperature plus week-time switch					Yes
Other control options					
Control room temperature with presence detection *					Yes
Control room temperature with open window detection *					Yes
With remote control option					Yes

* in combination with home automation

** shortest system path

*** EU directive 2015-1186/1188

Type of indication(s)		Trimline 140 Panoramic/Corner (1140/1141/1142)	
Appliance		C11, C31, C91	
Concentric flues system		Holetherm CC 100-150	
Gastype		G30/31	G30
Prepressure in mBar		(28-30)-37	30/50
Country		BE/CH/CY/CZ/ES/FR/GB/GR/IE/IT/LT/PT/SI/SK	NL/CH/CY/FR/GB/IT/LT/SI/SK/AT/CH/DE/FR/SK/PL
Category		I ₃ +	I ₃ B/P
Primary air		3xØ16	3xØ16
Pre pressure	mbar	(28-30)-37	30/(50 DE)
Burner pressure high	mbar	24,18/30,91	24,18
Burner pressure low	mbar	10,61	10,61
Injector size	Ø mm	1,35	1,35
Inj. Pilot burner	CODE	30	30
Low settings size	mm	Adjustable	Adjustable
Load Hs	kW	13,469	13,469
Load Hi	kW	12,432	12,432
Consumption	m ³ /h	0,385/0,433	0,385
Nom. Power high	kW	9,54	9,54
Nom. Power low	kW	5,6	5,6
NOx EN613	class	5	5
Efficiency Class EN613		2	2
Useful output (NCV) system **			
At nominal heat output	%	77	77
At minimal heat output	%	72,57	72,57
Additional electricity consumption			
Nominal	kWh	0	0
Stand-by	kWh	0	0
Energy efficiency ***			
Energy efficiency index	EEl	77	77
Energy label		C	C
NOx Hs	mg/kWh	<130	<130

Type of heat output/room temperature control:	
Indirect heat functionality	No
Single stage heat release, no room temperature control	No
2 or more manually adjustable stages, no control of the room temperature	No
With mechanical control room temperature by thermostat	No
With electronic control of the room temperature	Yes
With electronic control of the room temperature plus day-time switch	Yes
With electronic control of the room temperature plus week-time switch	Yes
Other control options:	
Control room temperature with presence detection *	Yes
Control room temperature with open window detection *	Yes
With remote control option	Yes

* in combination with home automation

** shortest system path

*** EU directive 2015-1186/1188

Type of indication(s)		Trimline 120 Panoramic/Corner (1145/1146/1147)			
Appliance		C11, C31, C91			
Concentric flues system		Holetherm CC 100-150			
Gastype		25,3	G20/25	G20	G20/25
Prepressure in mBar		25	20	20	20/25
Country		NL	DE	AT/CH/CY/CZ/DK/EE/ES/FI/FR/GB/GR/HR/IE/IT/LT/LU/LV/NO/PT/RO/SE/SI/SK/TR/DE/NL/PL/RO	BE/FR
Category		I ₂ EK I ₂ (43,46-45,3 MJ/m ³)	I ₂ ELL	I ₂ H/-/I ₂ E	I ₂ E+
Primary air		3xØ8	3xØ8	3xØ8	3xØ8
Pre pressure	mbar	25	20	20	20/25
Burner pressure high	mbar	16,79	13,56	13,56	13,56-16,79
Burner pressure low	mbar	5,86	4,57	4,57	4,57-5,86
Injector size	Ø mm	2,2	2,2	2,2	2,2
Inj. Pilot burner	CODE	51	51	51	51
Low settings size	mm	1,8	1,8	1,8	1,8
Load Hs	kW	13,40	12,63	14,46	14,46
Load Hi	kW	12,06	11,13	13,02	13,02
Consumption	m ³ /h	1,453	1,37	1,37	1,37
Nom. Power high	kW	9,6	8,8	10,3	10,3
Nom. Power low	kW	5	4,5	5,3	5,3
NOx EN613	class	5	5	5	5
Efficiency Class EN613		2	2	2	2
Useful output (NCV) system **					
At nominal heat output	%	79,81	79,81	80	80
At minimal heat output	%	72	72	72	72
Additional electricity consumption					
Nominal	kWh	0	0	0	0
Stand-by	kWh	0	0	0	0
Energy efficiency ***					
Energy efficiency index	EEl	79	78	80	80
Energy label		C	C	C	C
NOx Hs	mg/kWh	<130	<130	<130	<130
Type of heat output/room temperature control					
Indirect heat functionality					No
Single stage heat release, no room temperature control					No
2 or more manually adjustable stages, no control of the room temperature					No
With mechanical control room temperature by thermostat					No
With electronic control of the room temperature					Yes
With electronic control of the room temperature plus day-time switch					Yes
With electronic control of the room temperature plus week-time switch					Yes
Other control options					
Control room temperature with presence detection *					Yes
Control room temperature with open window detection *					Yes
With remote control option					Yes

* in combination with home automation

** shortest system path

*** EU directive 2015-1186/1188



Type of indication(s)		Trimline 120 Panoramic/Corner (1145/1146/1147)	
Appliance		C11, C31, C91	
Concentric flues system		Holetherm CC 100-150	
Gastype		G30/31	G30
Prepressure in mBar		(28-30)-37	30/50
Country		BE/CH/CY/CZ/ES/FR/GB/GR/IE/IT/LT/PT/SI/SK	NL/CH/CY/FR/GB/IT/LT/SI/SK/AT/CH/DE/FR/SK/PL
Category		I ₃ +	I ₃ B/P
Primary air		3xØ16	3xØ16
Pre pressure	mbar	(28-30)-37	30/(50 DE)
Burner pressure high	mbar	24,86/32,66	24,86
Burner pressure low	mbar	4,45/7	4,45
Injector size	Ø mm	1,4	1,4
Inj. Pilot burner	CODE	30	30
Low settings size	mm	1,3	1,3
Load Hs	kW	14,33	14,33
Load Hi	kW	13,22	13,22
Consumption	m ³ /h	0,41/0,54	0,410
Nom. Power high	kW	9,9	9,9
Nom. Power low	kW	4	4
NOx EN613	class	5	5
Efficiency Class EN613		2	2
Useful output (NCV) system **			
At nominal heat output	%	75	75
At minimal heat output	%	63	63
Additional electricity consumption			
Nominal	kWh	0	0
Stand-by	kWh	0	0
Energy efficiency ***			
Energy efficiency index	EEl	75	75
Energy label		D	D
NOx Hs	mg/kWh	<130	<130

Type of heat output/room temperature control:	
Indirect heat functionality	No
Single stage heat release, no room temperature control	No
2 or more manually adjustable stages, no control of the room temperature	No
With mechanical control room temperature by thermostat	No
With electronic control of the room temperature	Yes
With electronic control of the room temperature plus day-time switch	Yes
With electronic control of the room temperature plus week-time switch	Yes
Other control options:	
Control room temperature with presence detection *	Yes
Control room temperature with open window detection *	Yes
With remote control option	Yes

* in combination with home automation

** shortest system path

*** EU directive 2015-1186/1188

Type of indication(s)		Trimline 100 Panoramic/Corner (1156/1157/1158)			
Appliance		C11, C31 ,C91			
Concentric flues system		Holetherm CC 100-150			
Gastype		25,3	G20/25	G20	G20/25
Prepressure in mBar		25	20	20	20/25
Country		NL	DE	AT/CH/CY/CZ/DK/EE/ES/FI/ FR/GB/GR/HR/IE/IT/LT/LU/ LV/NO/PT/RO/SE/SI/SK/TR/ DE/NL/PL/RO	BE/FR
Category		I ₂ EK I ₂ (43,46-45,3 MJ/m ³)	I ₂ ELL	I ₂ H/-/I ₂ E	I ₂ E+
Primary air		2xØ7	2xØ7	2xØ7	2xØ7
Pre pressure	mbar	25	20	20	20/25
Burner pressure high	mbar	17,34	14	14	14-17,22
Burner pressure low	mbar	3,15	2,47	2,5	2,5-3,15
Injector size	Ø mm	2	2	2	2
Inj. Pilot burner	CODE	51	51	51	51
Low settings size	mm	1,8	1,8	1,8	1,8
Load Hs	kW	11,61	9,74	12,45	12,45
Load Hi	kW	10,45	8,77	11,21	11,21
Consumption	m ³ /h	1,27	1,08	1,19	1,19
Nom. Power high	kW	7,8	6,5	8,5	8,5
Nom. Power low	kW	2,7	2,4	2,9	2,9
NOx EN613	class	5	5	5	5
Efficiency Class EN613		2	2	2	2
Useful output (NCV) system **					
At nominal heat output	%	75	75	76	76
At minimal heat output	%	62	62	62	62
Additional electricity consumption					
Nominal	kWh	0	0	0	0
Stand-by	kWh	0	0	0	0
Energy efficiency ***					
Energy efficiency index	EEl	75	75	76	76
Energy label		D	D	D	D
NOx Hs	mg/kWh	120	120	123	123
Type of heat output/room temperature control					
Indirect heat functionality					No
Single stage heat release, no room temperature control					No
2 or more manually adjustable stages, no control of the room temperature					No
With mechanical control room temperature by thermostat					No
With electronic control of the room temperature					Yes
With electronic control of the room temperature plus day-time switch					Yes
With electronic control of the room temperature plus week-time switch					Yes
Other control options					
Control room temperature with presence detection *					Yes
Control room temperature with open window detection *					Yes
With remote control option					Yes

* in combination with home automation

** shortest system path

*** EU directive 2015-1186/1188

Type of indication(s)		Trimline 100 Panoramic/Corner (1156/1157/1158)	
Appliance		C11, C31, C91	
Concentric flues system		Holetherm CC 100-150	
Gastype		G30/31	G30
Prepressure in mBar		(28-30)-37	30/50
Country		BE/CH/CY/CZ/ES/FR/GB/GR/IE/IT/LT/PT/SI/SK	NL/CH/CY/FR/GB/IT/LT/SI/SK/AT/CH/DE/FR/SK/PL
Category		I ₃ +	I ₃ B/P
Primary air		3xØ16	3xØ16
Pre pressure	mbar	(28-30)-37	30/(50 DE)
Burner pressure high	mbar	28,43/36,24	28,43
Burner pressure low	mbar	7,41/10	7,41
Injector size	Ø mm	1,15	1,15
Inj. Pilot burner	CODE	30	30
Low settings size	mm	1,3	1,3
Load Hs	kW	10,48	10,48
Load Hi	kW	9,67	9,67
Consumption	m ³ /h	0,31/0,36	0,31
Nom. Power high	kW	8,1	8,1
Nom. Power low	kW	3,6	3,6
NOx EN613	class	5	5
Efficiency Class EN613		2	2
Useful output (NCV) system **			
At nominal heat output	%	84,32	84,32
At minimal heat output	%	75,28	75,28
Additional electricity consumption			
Nominal	kWh	0	0
Stand-by	kWh	0	0
Energy efficiency ***			
Energy efficiency index	EEl	84	84
Energy label		B	B
NOx Hs	mg/kWh	81,35	81,35

Type of heat output/room temperature control:	
Indirect heat functionality	No
Single stage heat release, no room temperature control	No
2 or more manually adjustable stages, no control of the room temperature	No
With mechanical control room temperature by thermostat	No
With electronic control of the room temperature	Yes
With electronic control of the room temperature plus day-time switch	Yes
With electronic control of the room temperature plus week-time switch	Yes
Other control options:	
Control room temperature with presence detection *	Yes
Control room temperature with open window detection *	Yes
With remote control option	Yes

* in combination with home automation

** shortest system path

*** EU directive 2015-1186/1188

7 CONCENTRIC CHIMNEY LAY OUT

Table of concentric chimney lay out

Traject	Gas	Illustration	X total in meter		Y total in meter		Restriction
			Min*	Max*	Min*	Max*	
X = vertical and Y = horizontal							
Indirect exterior wall outlet	NG/LPG	A-B	1	3	0	Conditions	Yes
Roof termination without elbows	NG/LPG	C	2	12	0	0	From 6 meter
Roof termination with 45° elbows**	NG/LPG	D	3	12	0	4	From X total - Y > 6 meter
Roof termination with 90° elbows***	NG/LPG	E	1	12	0	2	From X + X1 - Y > 6 meter

45° elbow: calculation length 1 meter

90° elbow: calculation length 2 meter

Optional illustration C, D: vertical sections always first 1 meter Ø130/200 mm then change to Ø100/150 mm

Optional illustration E: vertical and horizontal section all Ø130/200 mm after the last bend for roof outlet, change to Ø100/150 mm

* Length including roof or wall terminals. Starting length of 1 meter Ø130/200 mm

** Vertical: horizontal ratio X + X1 + X2 : Y ≥ 2 : 1

*** Vertical: horizontal ratio X + X1 : Y ≥ 2 : 1

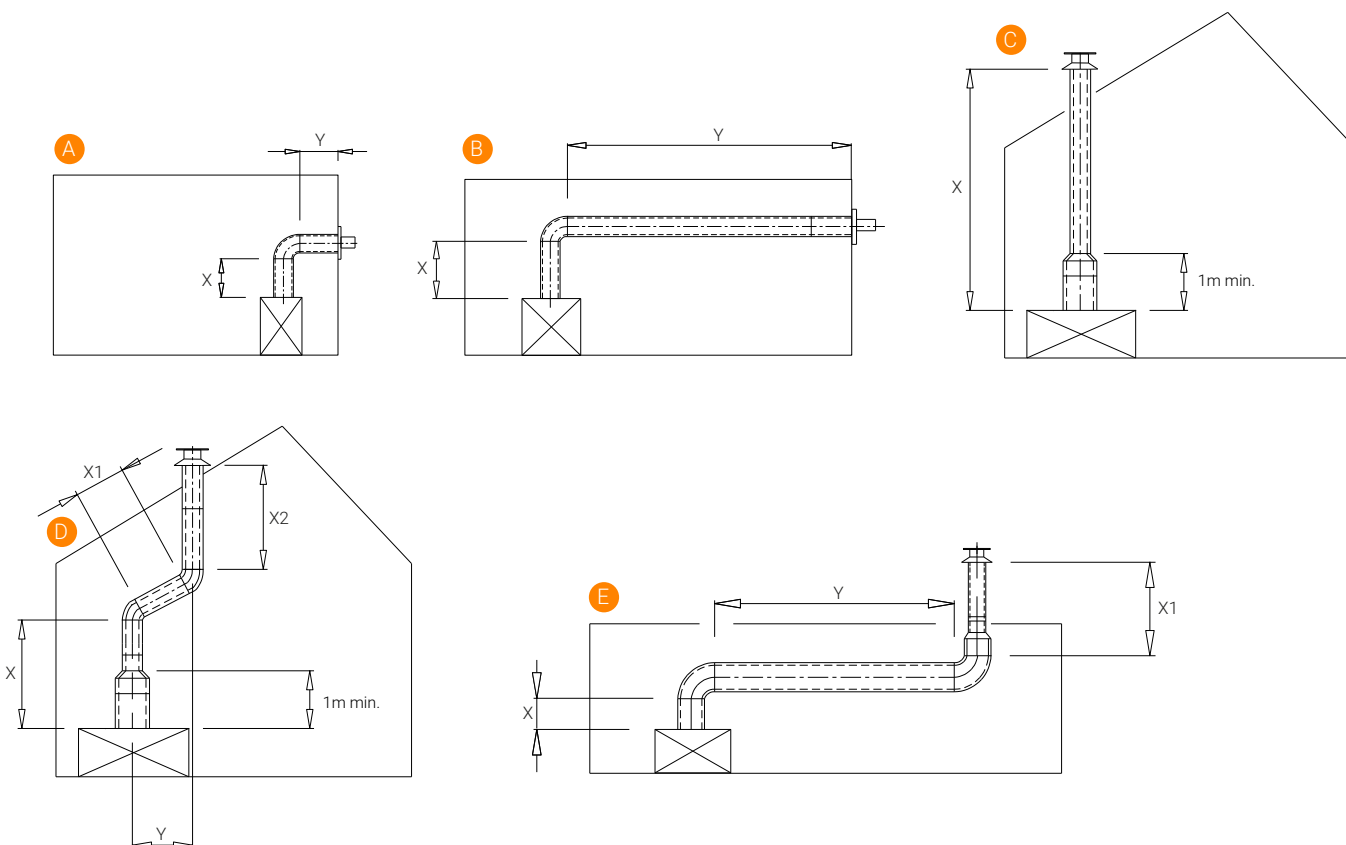
Restriction conditions all gas types

Vertical lay out

Distance	Appliance	Baffle plate NG/LPG	Restriction NG	Restriction LPG
1 - 12 meter	1156-1157-1158 100cm Panoramic/Corner	Yes	60mm	80mm
1 - 12 meter	1145-1146-1147 120cm Panoramic/Corner	Yes	60mm	30mm
1 - 12 meter	1140-1141-1142 140cm Panoramic/Corner	Yes	55mm	50mm

Restriction determination based on horizontal runs

	Horizontal max meter		Length max horizontal		Baffle plate NG/LPG	Restriction NG	Restriction LPG
	NG	LPG	Appliance				
1 meter 90° wall terminal	0,5	0,5	1156-1157-1158	100cm Panoramic/Corner	Yes	60mm	80mm
1 meter 90° ≥ 2 meter	5,5	5,5	1156-1157-1158	100cm Panoramic/Corner	None	None	None
1 meter 90° wall terminal	0,5	0,5	1145-1146-1147	120cm Panoramic/Corner	Yes	60mm	30mm
1 meter 90° ≥ 2 meter	4,5	3,5	1145-1146-1147	120cm Panoramic/Corner	None	None	None
1 meter 90° wall terminal	0,5	0,5	1140-1141-1142	140cm Panoramic/Corner	Yes	55mm	50mm
1 meter 90° ≥ 2 meter	3,5	3,5	1140-1141-1142	140cm Panoramic/Corner	None	None	None



8 CONCENTRIC FLUE SYSTEM

The concentric flue system is composed of an inner- and an outer tube. These tubes are concentrically arranged; through the inner tube, the combustion gases are evacuated and the fresh combustion air is supplied between the inner and outer tube.

8.1 Components of the concentric flue system

Different connections are possible using the concentric flue system. These are:

Through the roof face and through the exterior wall

There are various options for mounting the lay outs for this system, however, there are a few important requirements/ conditions:

- The maximum recommended vertical flue length is 12 metres (the sum of the flue length and the calculation lengths for the bends). See chapter 9 *Concentric chimney lay out*.
- 90° bends have a 2-metre horizontal calculation length.
- 45° bends have a 1-metre horizontal calculation length.
- The outlet can be installed at any point on the roof face or exterior wall (supply and discharge in an identical pressure area), but must meet applicable regulations.
- Ducts may not be insulated.

NOTICE

Ensure the restriction plate in the fire is mounted in the correct manner, as indicated in these instructions.

The correct restriction plate will provide the unit with the most optimal efficiency, flame image and combustion.

Mounting an incorrectly placed restriction plate may cause malfunction of the unit.

8.2 Construction of concentric flue system

Indirect wall connection

- The outlet may be installed in the wall, taking any hindrance to the surrounding area into consideration, according to national, regional, local standards and regulations.

NOTICE

Ensure wind pressure on the flue terminal is not too extreme, such as a balcony, flat roof, corners and in small alleys etc., as this may negatively influence the unit efficiency.

- Provide a recess in the exterior wall of around 155mm for concentric 100-150, and 205mm for concentric 130-200. (in a flammable wall ensure there is 50mm of extra space around the outer pipe and use fireproof casing) and fix the exterior wall duct with the wall plate to the outer side of the wall. The wall plate of the exterior wall duct must be

sealed sufficiently against the wall on the outside, to avoid moisture and/or flue gas leaks into the living space.

- The flue should be cased if necessary. Sufficient fireproof measures must also be taken when the flue is being mounted along flammable materials.
- Determine the position of the unit and outlet and begin construction of the flue with the connection on the unit, paying attention to the direction of installation and connecting the elements by means of locking bands.
- An adjustable length can be used between the bends or when connecting to the unit. If necessary, use wall brackets to support the flue.

Roof termination

- The flue terminal can be located at any random place on the roof face (supply and exhaust in identical pressure areas) and must meet the applicable rules and regulations.
- A roof flashing for a flat roof or a lead flashing for sloping tiled roofs can be used for a watertight connection. Use various elbows for making the proper connection, if required. The recess in the roof decking should be 50mm larger all around, to ensure sufficient fire resistance.
- One needs to take into account the regulation regarding fire resistance between rooms (See national, regional, local standards and regulations). A casing made of fireproof material (e.g. 12mm Promatect fire resistant plate) must be used at 25mm from the outside duct.
- Determine the position of the unit and outlet and begin construction of the flue with the connection on the unit (always 1 metre vertical first), paying attention to the direction of installation! The flue must be installed dripless. Connect the elements by using locking bands. Ensure the gas tightness of all connections is correct.
- An adjustable length can be used between the elbows or when making the connection to the unit and/or the roof terminal. Use 2 wall brackets to support the flue on each floor.

8.3 Installation instructions regarding existing flues

APPENDIX 3

Instructions

The flue gas exhaust system falls within category C91 and must be built in accordance with national rules and regulations and the instructions of the manufacturer, as specified in the documentation and installation instructions.

This means, among other things, that the existing chimney must not be smaller than 150mm round/square, but no larger than 200mm, and not ventilated by grilles etc. In the case of larger chimney size, a flexible hose of around 150mm may possibly be used in combination with a flexible hose of around 100mm, as described below. For other situations, you should consult your supplier/manufacturer.

8.4 Parts

Check all parts for damage before commencing the installation. You will require the following parts for converting a brickwork duct to a balanced flue concentric duct. (see *Appendix 3 Installation examples regarding flues*)

NOTE

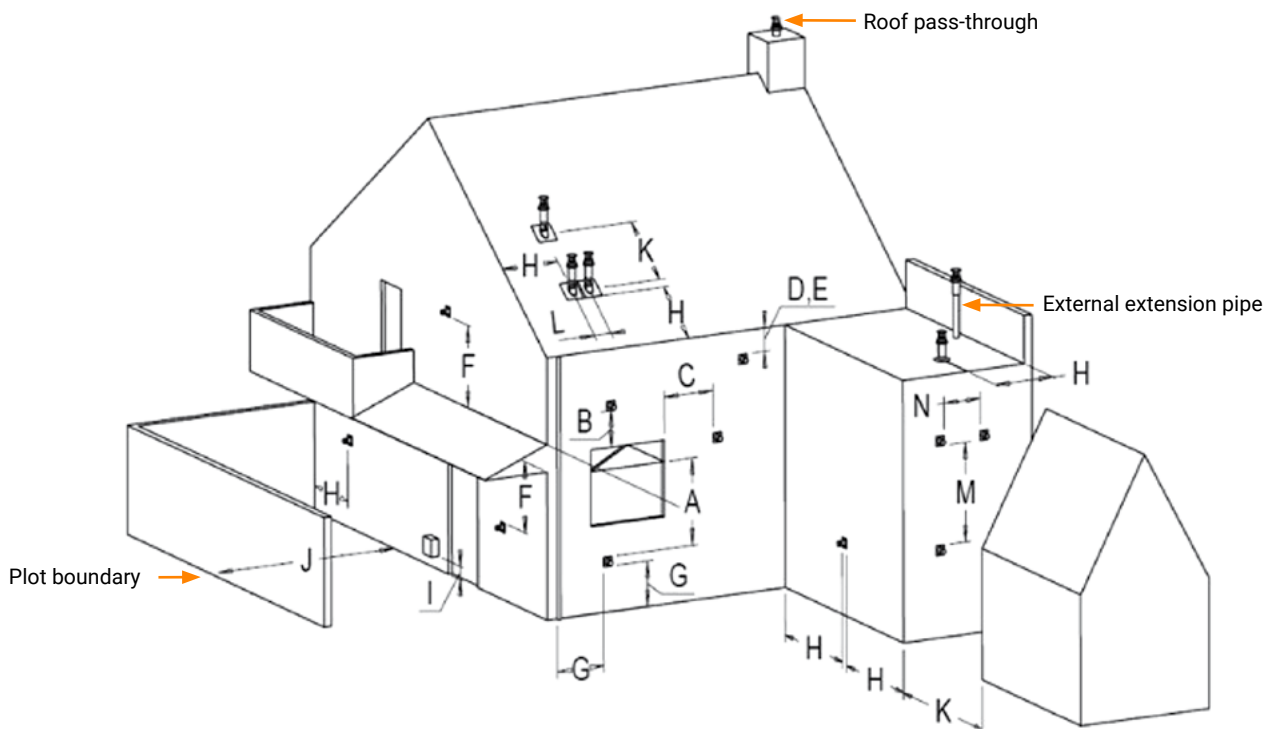
The renovation kit consists of parts:

- ④ Interior mounting plate
- ⑤ Sliding element
- ⑧ Chimney mounting plate

8.5 Installation

- Guide the flexible hose ⑥ through the existing duct.
- Attach the adjustable pipe ⑤ to the bottom of the flexible hose and secure this in place using 2 parkers.
- Level the bottom side of the adjustable pipe ⑤ with the ceiling of existing chimney.
- Shorten the flexible hose to approximately 100mm above the existing chimney top.
- Attach the mounting plate/connecting piece ⑧ to the flexible hose on the roof. Clamp it with a hose band and secure it in place using a parker.
- Attach the mounting plate / connecting piece ⑧ to the chimney top, using silicone sealant to make it watertight secure with stainless steel screws.
- Install the roof terminal ⑩ and secure it in place using the supplied locking band ⑨.
- The adjustable pipe ⑤ will stick about 100mm below ceiling/existing chimney. Mount the inner ceiling plate ④ gastight to the ceiling/existing chimney with silicone kit and fixing screws.
- Position the unit in accordance with the instructions of the unit manufacturer.
- Always install a minimum of 500 mm of concentric duct type THC CC (2). A reduction from 130-200mm to 100-150mm can be placed after this 500mm THC CC.
- Extend the concentric flue using sections ② up to a minimum of 100mm in the structural duct. Finally, turn the clamping strip by hand in the mounting plate inside ④.

9 TERMINAL POSITIONS AND CORRECT FUNCTIONING



Dimensions	Outlet positions	Distance mm
A	Distance to ventilation openings	Room*
B	Distance to ventilation openings	Room*
C	Distance to ventilation openings	Room*
D	Gutter channel base pipes or outlet pipes below here	500
E	Under the eaves	500
F	Under a carport, roof or balcony, inside and outside corners	500
G	From vertical ground pipes or drain pipes	300
H	Inside and outside a corner	500
I	Above an external gas pressure regulator	1000
	Side of a gas pressure regulator	500
J	Conflict distance façade outlet	Room*
K	Roof drain centre to centre	1000
L	From the centre of both roof drains	450
M	Two wall drains above each other	1000
N	Two wall drains next to each other	1000

* In accordance with local building codes

10 CLEANING AND MAINTENANCE

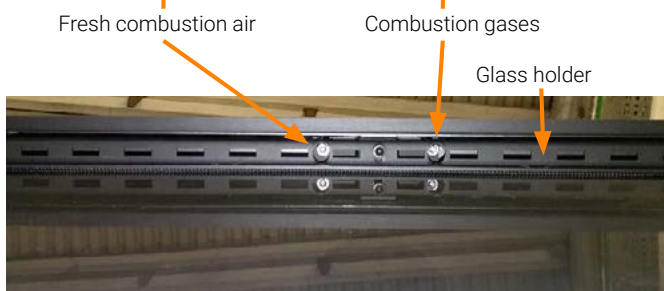
This appliance should be inspected and serviced once a year by a qualified, competent and registered person. The inspection and maintenance must at least ensure that the appliance is working correctly and safely.

It is advisable to clean the appliance of any dust and debris before regularly during the heating season and especially if the appliance has not been used for some time. This can be done with a soft brush and a vacuum cleaner or a damp cloth and if required a non-abrasive cleaning agent. Do not use corrosive or abrasive substances to clean the appliance.

The Concentric flue system must be inspected and cleaned every 2 years. Also control of:

- 1 Gas tightness of gas fire and concentric flue system.
- 2 The correct operation of the gas control and the ignition of the burner.
- 3 The operation of the pressure hatches; that they can open and close freely.
- 4 Correct operation of the gas control block and ignition of the burner.

The hearth is equipped with measuring points to allow analysis of the combustion gases and fresh combustion air. The connection points are located in the middle of the glass holder above the front pane. To connect the measuring tubes, remove the sealing plugs first using a 5mm Allen key. The left-hand connection is for the fresh combustion air, the right-hand connection is for the combustion gases.



Anti Reflective glass; AR glass cleaning instructions APPENDIX 4

General

AR glass is a non-reflective ceramic glass. This glass is provided with a AR-coating on both sides of the glass. The anti-reflection coating gives a reduction in the reflection up to a minimal shine. The coating layers are more sensitive than the known ceramic glass, hence it is necessary to follow special cleaning procedures.

NOTICE

Wear soft cotton gloves at all times.

Important

Don't use any of the following cleaning materials: Hard (abrasive) sponges, steel wool, abrasives and cleaners with ammonia or acid (citric acid as well), paper towels, ceramic cook top cleaner.

Only use

Water or suitable detergents. We advise our Thermocet Cleaner.

Procedure

- The rubber suction cup to take out the glass must be clean. (Scratch hazard).
- Release the glass retaining strips and take the glass out of the appliance.
- Place the glass on a stable soft surface.
- Use a soft (microfiber) cloth/soft sponge.
- Clean the glass with the special cleaner and or water.
- Make sure there is no residue, such as fingerprints, left behind.
- Replace the glass and tighten the glass retaining strips.
- Double check for residue on the outside of the glass, also left behind by the suction cup.

Important

After the first use the inside of the pane will have a white haze, it is necessary to remove the white haze immediately after the first use, when the appliance has cooled. The higher the frequency of use more frequent cleaning might be needed. Not timely cleaning of the glass can cause it to go dull and will be difficult to clean.

Information

If an appliance with AR glass is placed near windows, or if there is a lot of light on the glass, it is possible to detect reflection of colours. For example, a red sofa, white table or floor the stove can cause the glass to reflect these colours. As the glass is cleaned more often or with not accepted products it will lose some of the AR effect.

11 QUICK REFERENCE GUIDE FOR FAULTSSEARCH FOR ENCLOSED GAS FIRES USING MERTIK GV60 GASCONTROL

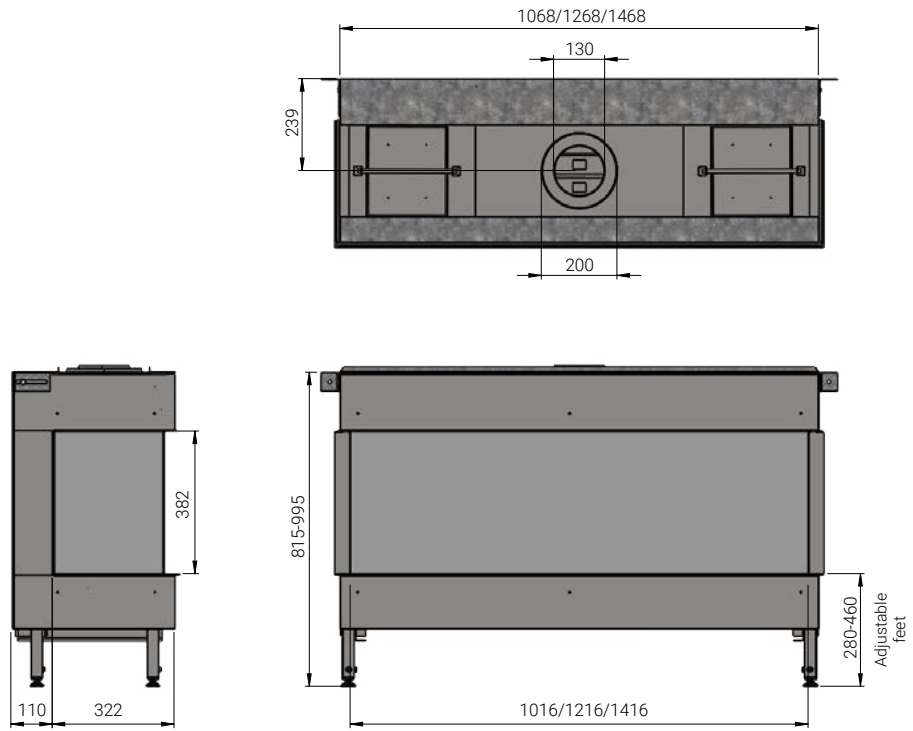
Function	Possible cause	Solution
1. Acoustic signals	1 long beep → reset switch OFF (0)	Set switch to (I)
	1 long beep → connections not complete	Check connections in thermocouple circuit
	1 long beep → 8-core cable defective	Check connections in connector/replace 8-core cable
	1 long beep → micro switch defective	Replace gas valve
	1 long beep → Sync not OK	Carry out new sync procedure for remote control/receiver
	3 short beeps → power supply	Replace batteries or 6-VDC adapter
2. No reaction remote control/receiver	Power supply problem	Check batteries/6-VDC adapter
	No sync remote/receiver	Carry out sync procedure
	Distance between remote control/receiver	Change position of receiver
	Defective receiver	Replace receiver
	Faulty remote control	Replace remote control
3. No pilot light gas	GV60 DC magnet unit does not open (no clicking noise from gas valve)	Check wiring and breaker on thermocouple circuit Check/replace 8-core cable between remote control and gas valve 1 x sparks and stop: check ground cable under torx gas valve Replace receiver Replace gas valve
4. Poor/no spark	Spark cable loose	Check spark cable connections
	Short circuit between cable and metal	Check whether cable is free of metal parts
	Poor spark candle	Check spark candle for fractures, replace if necessary
	Distance of sparking candle to pilot light head	Check distance is approximately 4mm
5. Pilot light difficult to ignite	Gas supply pressure too high, nervous flame	Adjust gas supply pressure or adjust the pilot light pressure using the gas valve
	Gas supply pressure too low, short flame	Adjust gas supply pressure, check gas pipes, or adjust pilot light pressure using the gas valve
	Air in (pilot light) pipe, flame on/off	Blow pipes through, make air-free
	Injector blocked	Clean or replace pilot light injector
	Blocked/curved pilot light pipe	Check and clean pipe
	Pilot light head damaged	Check and replace pilot light
6. Pilot light goes out after ignition	Small pilot light, no flame on thermocouple tip	Check gas supply pressure, possibly too low
		Check pilot light injector and gas pipe
	Nervous pilot light flame, no flame on thermocouple tip	Check gas supply pressure, too high, adjust
		Adjust pilot light pressure on gas control block
		Air in pipes, vent
	Lazy pilot light, no flame on thermocouple tip	Check premix opening on pilot light, must be open
	Poor connections in thermocouple circuit	Check cables/breaker in thermocouple circuit
		Check thermocouple connections in gas control block, do not over-tighten.
		Measure thermocouple circuit voltage 4.5mV minimum
Bad thermocouple	Check open circuit voltage of thermocouple (18-30mV), replace if necessary	
Poor DC magnet unit in GV60	Replace gas valve	
7. Pilot light goes out when the fireplace is closed	False air along pilot light holder/gasket	Check pilot light holder and gasket for leaks
	False air hatches	Check pressure hatches/gasket is completely closed
	Main flame causes pilot light to go out	Check restriction/baffle in accordance with regulations

Function	Possible cause	Solution
8. Pilot light/main flame off	Gas pre-pressure has dropped	Check correct dimensions of gas pipe or blockage, correct
	Main burner ignition, 3 beeps, low power supply voltage	Check batteries or 6-VDC adapter
	Too much/little transport in unit/outlet	Check restriction/baffle situation in accordance with instructions.
	Concentric outlet pathway incorrect	Check outlet pathway in accordance with instructions
	Recirculation, façade/roof mouth position incorrect	Check outlet in accordance with instructions
	Recirculation in closed outlet system	Check outlet connections
9. Main burner does not start up	Gas control valve knob to MAN	Check gas control valve knob to ON
10. Delayed ignition of main burner	Pilot light burner blocked	Check logs, pebbles, etc. are in the right position. pilot light should be free of obstructions.
	Small/lazy pilot light	Check and correct pressure and physical state of pilot light burner
	Close main burner flame openings	Check and clean with a vacuum cleaner or similar device.
	Logs, etc. in wrong position	Check and correct, see instructions
11. Low main flame	Gas supply pressure too low	Check gas supply pressure and corrections
	Burner pressure too low	Check burner pressure, check instructions for correct values
12. No or little difference between high/low settings for main flame	Low position setting incorrect	Check and adjust low position in accordance with instructions
13. DB burner does not work	Defective step valve	Check whether clicking sound is perceptible, press button on remote control several times, replace valve if necessary
14. Sooty flame	Insufficient transport in unit/closed drainage system	Check restriction/baffle, follow instructions for correct value
		Check outlet system pathway in accordance with instructions
		Check outlet in accordance with regulations/instructions
	Excessive feed/burner pressure	Check and correct gas supply/burner pressure in accordance with instructions
	Blocked burner flame openings	Check and clean with a vacuum cleaner, for example
	Incorrect premix for main burners	Check and correct, see instructions
	Decorative logs, etc. in incorrect position	Check and correct, see instructions

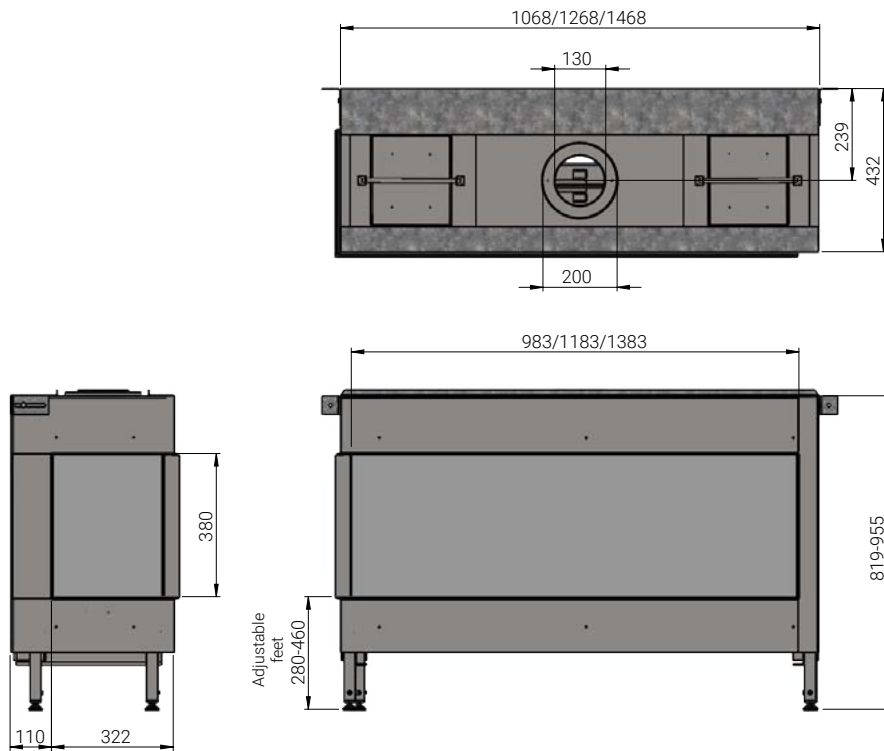
Appendix 1 DIMENSIONAL DRAWINGS

1140/1145/1156 Panoramic

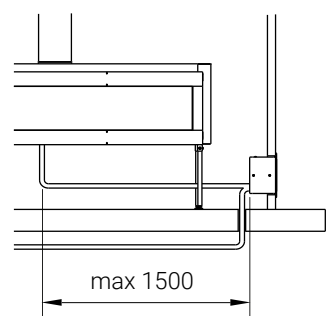
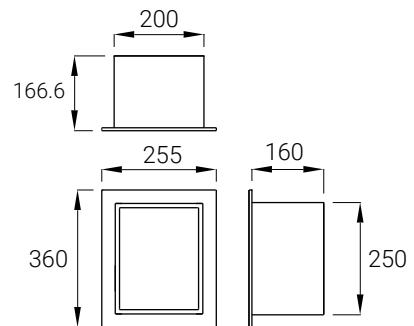
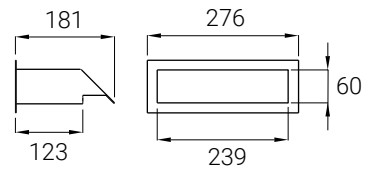
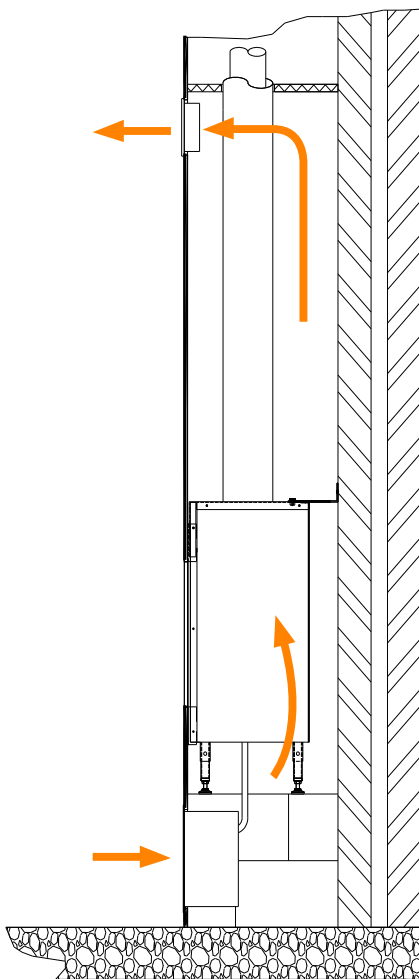
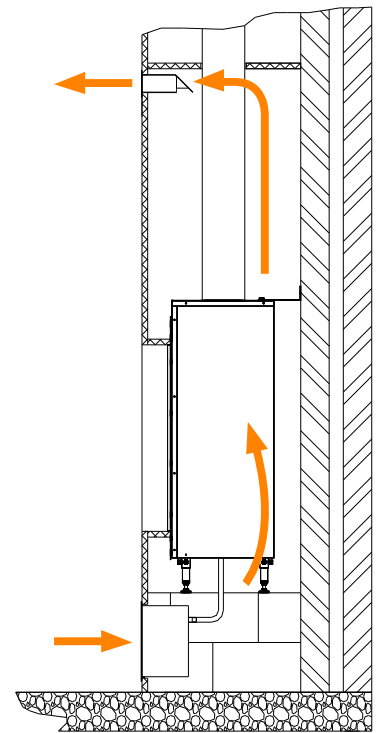
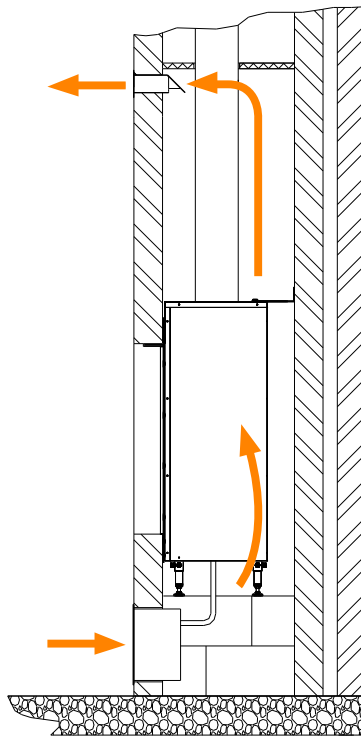
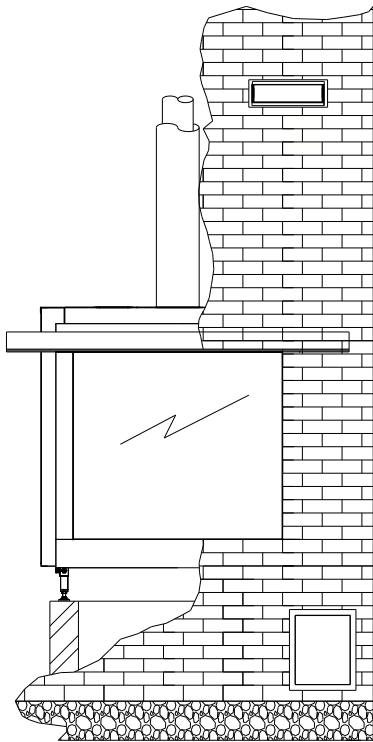
Measurements in mm



1141-1142/1157-1158/1146-1147 Corner Left - Right



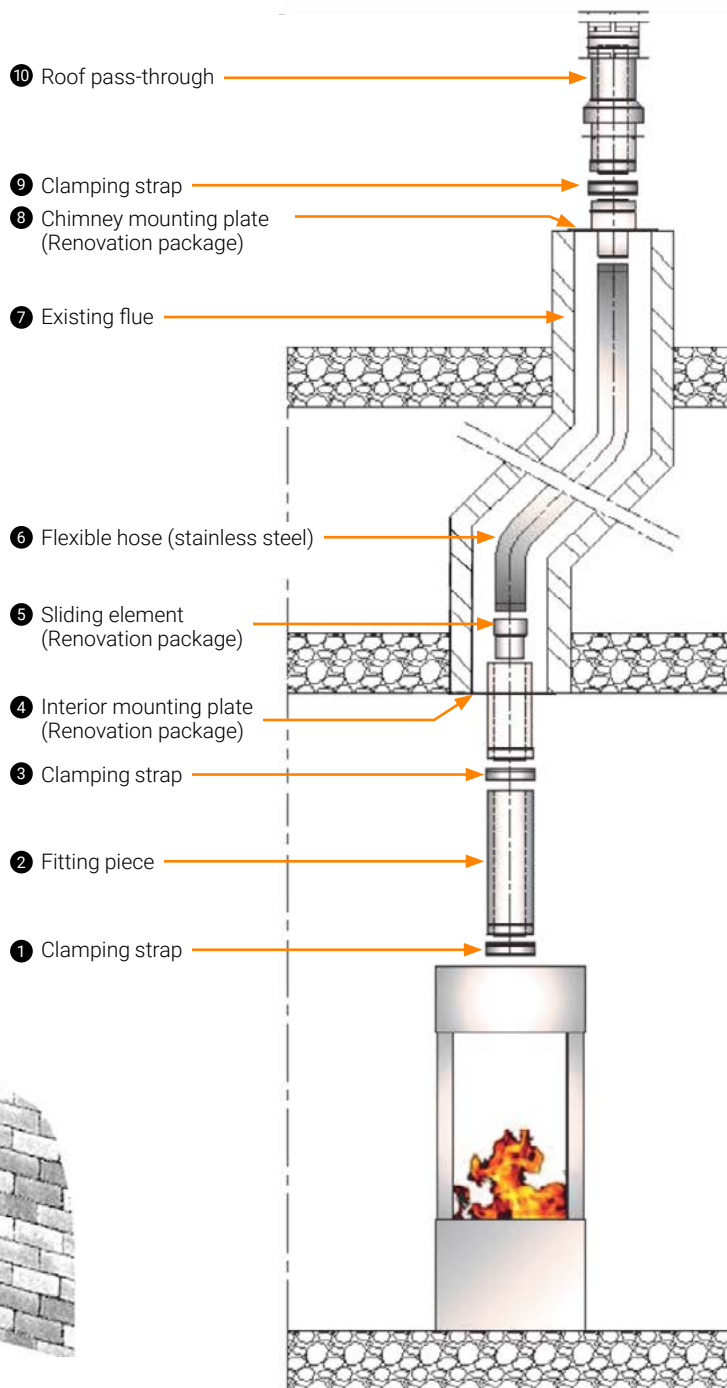
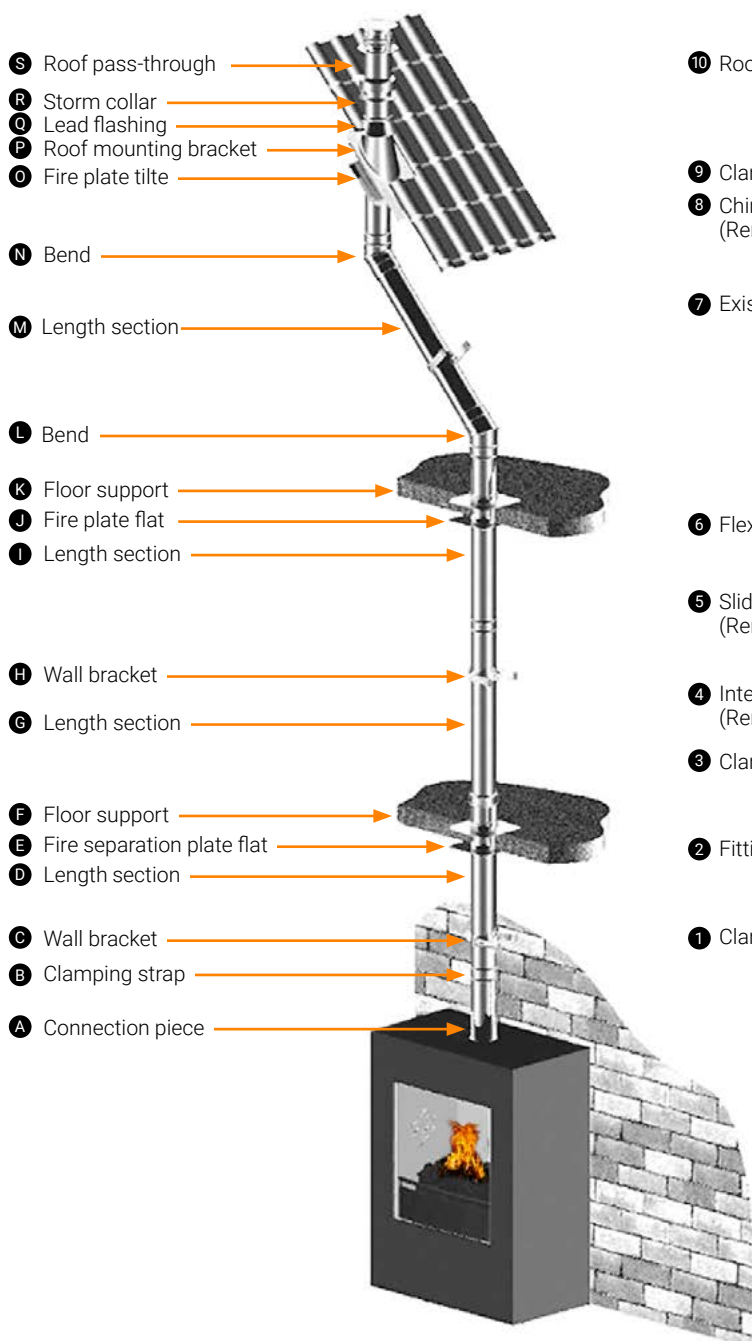
Appendix 2 BUILT-IN EXAMPLES



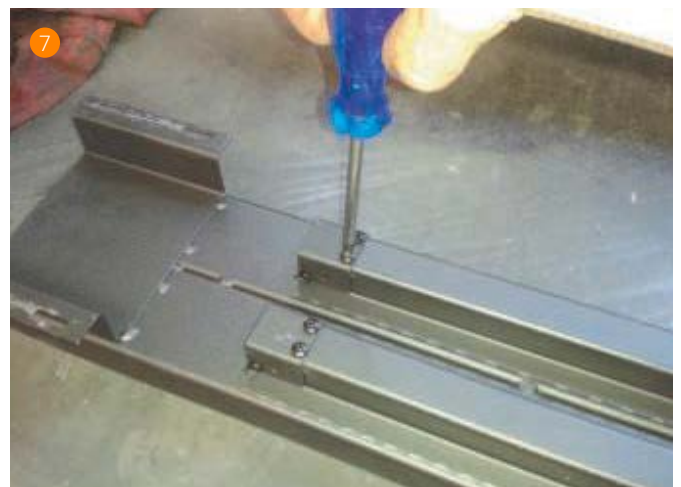
Appendix 3 INSTALLATION EXAMPLES REGARDING FLUES

Material: Stainless steel AISI 316 L - Allow number 1.4404
 For diameter see chapters 7 and 8

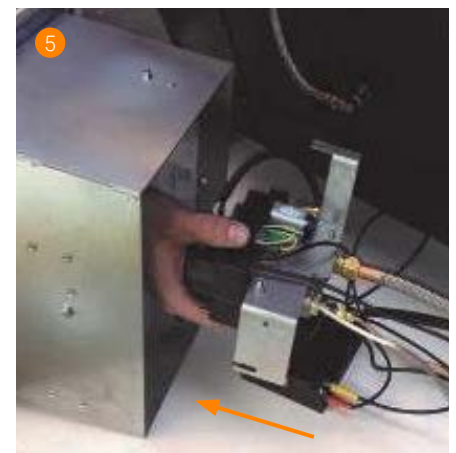
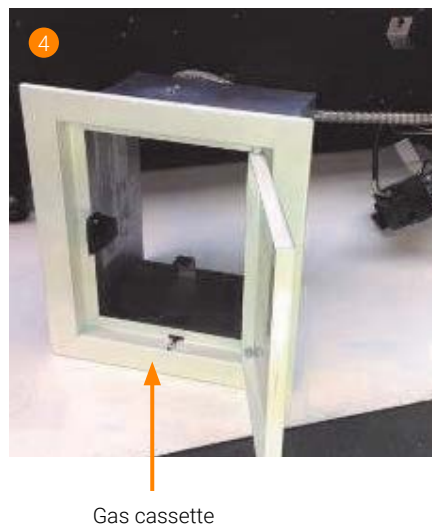
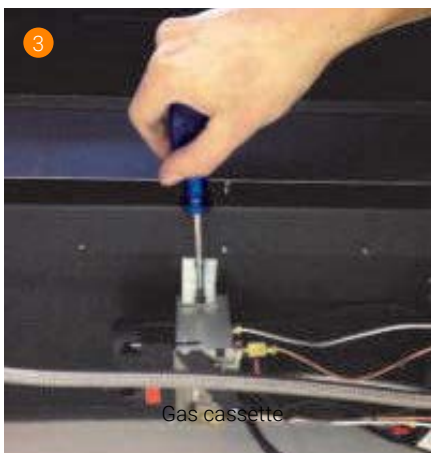
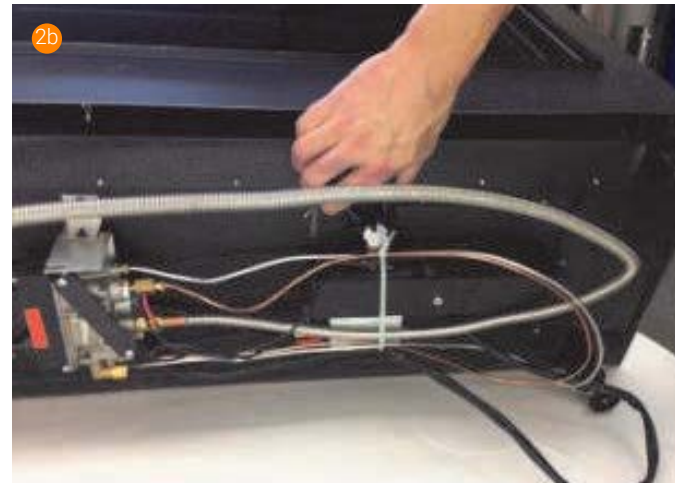
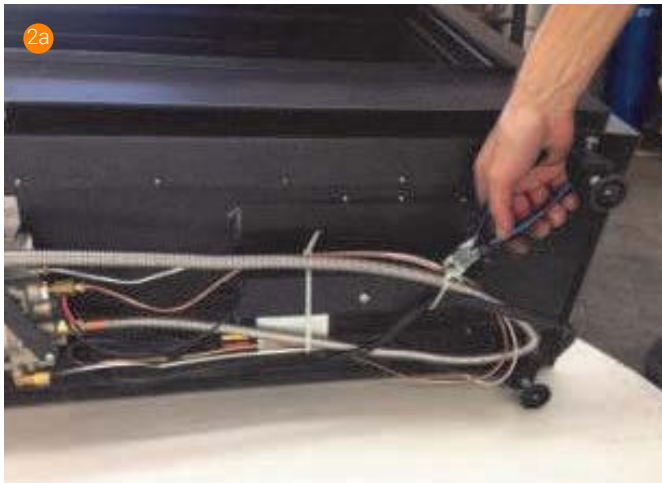
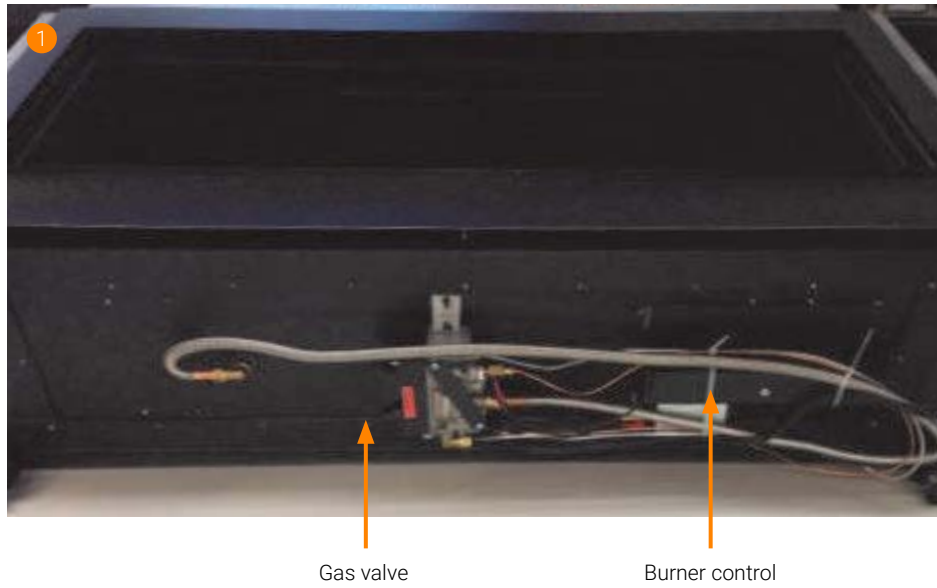
Application: for the discharge of flue gases and the supply of combustion air from gas-fired fireplaces or stoves with a closed combustion system

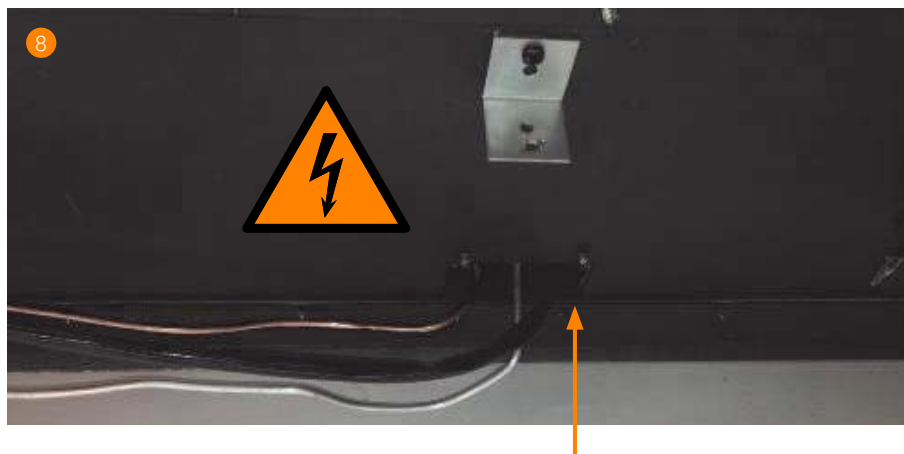
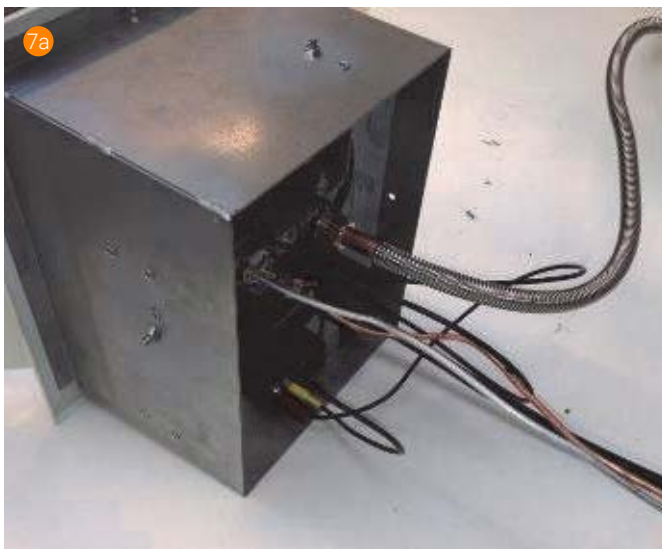


Appendix 4 PREPARATION AND INSTALLATION



Appendix 5 PREPARING GAS CASSETTE GV60 FOR INSTALLATION





Appendix 6 FITTING LOG SET



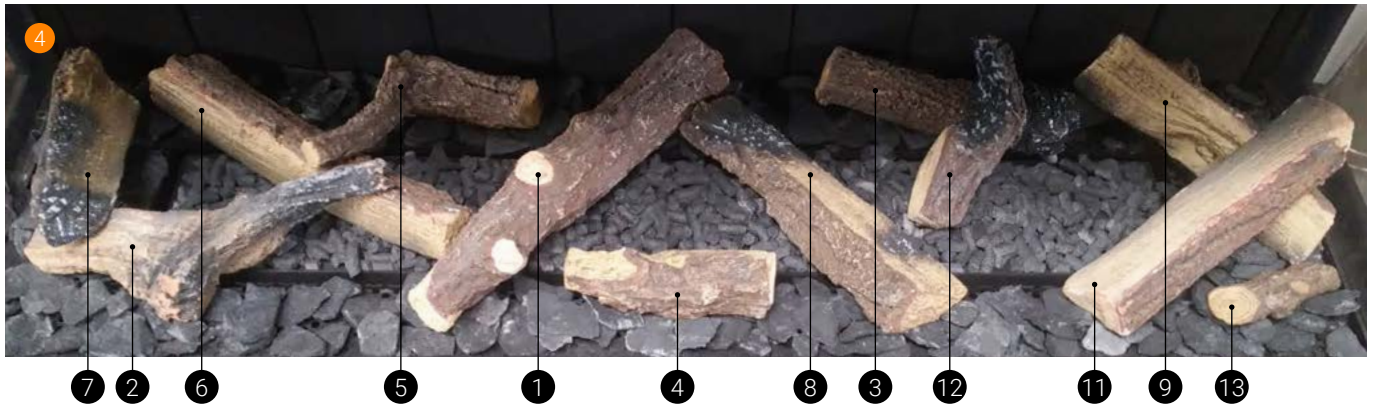
Granules



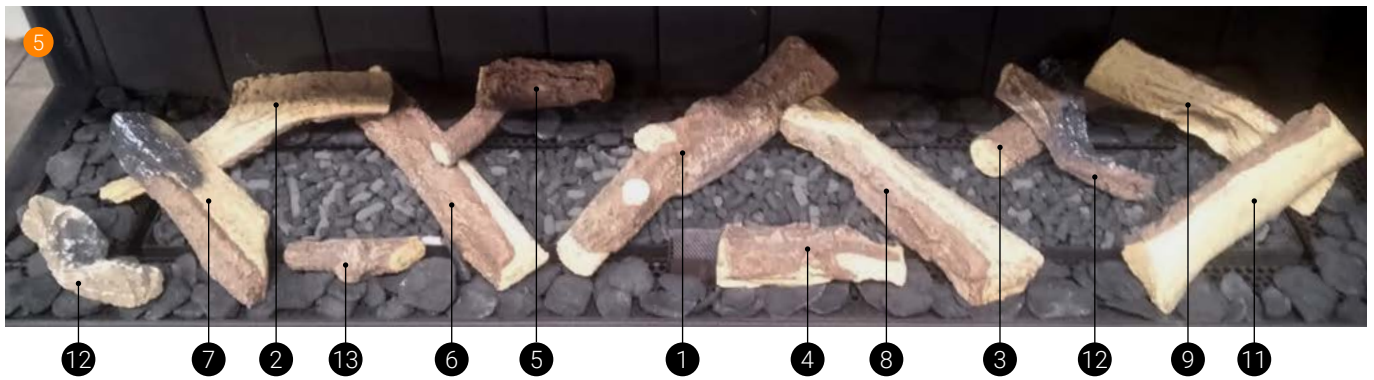
Chips

Appendix 6 CONTINUED

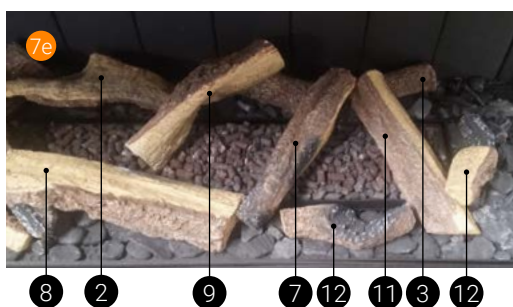
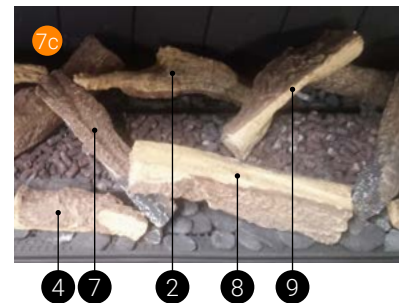
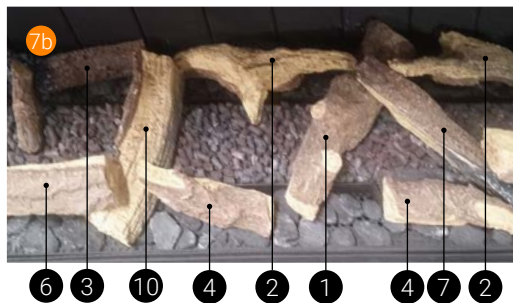
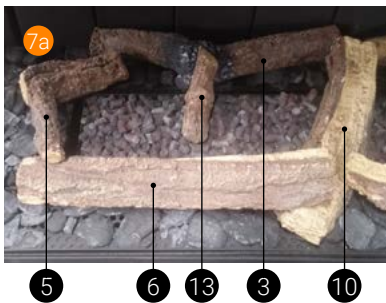
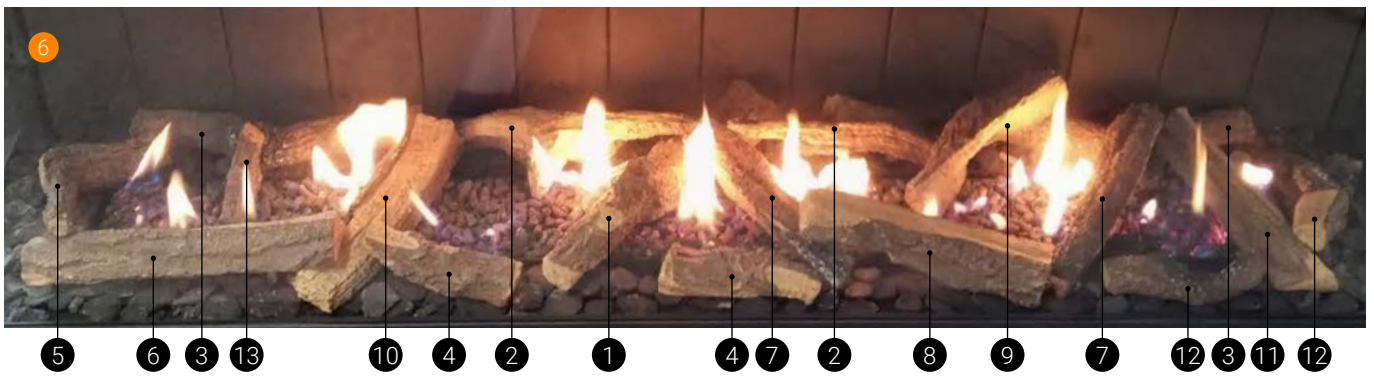
Trimline 100 Panoramic/Corner



Trimline 120 Panoramic/Corner

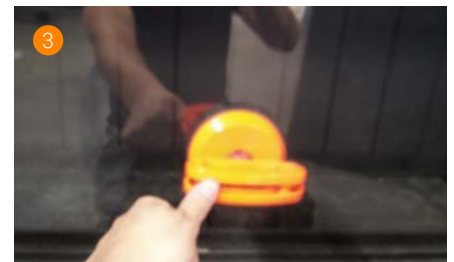
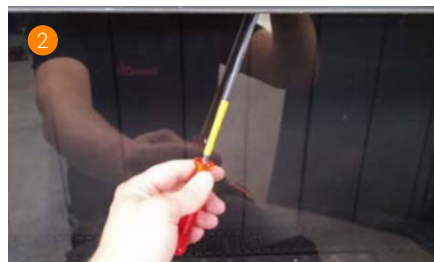
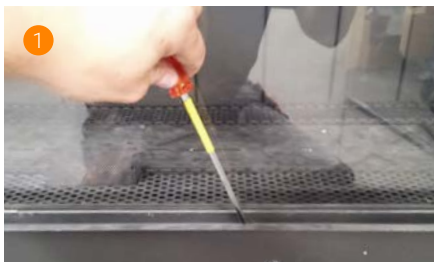


Trimline 140 Panoramic/Corner



Appendix 7 PLACING THE OPTIONAL BLACK GLASS

- Remove the decorative frame on the underside of the glass pane.
- Loosen the screws retaining the lower and upper glass holders. 1 2
- Place the suction cup centrally on the glass pane. Slide the pane upwards and then tilt the bottom edge towards you to remove the glass pane 3. Put the glass pane in a place where it will not get damaged.
- Take out the grate 4. Lift the grate up and remove it by tilting it 5. You can see the slats in the rebate. 6
- Each slat can be taken out by hand: push the slat upwards, pull it towards you with a suitable tool and then lower it. 7 8 9 10 11
- When all the slats have been removed, you can see a flat rear wall. 12
- Open the packaging protecting the black glass. The package contains the following parts:
 - Slats 13
 - Black glass 14
 - Two mounting brackets and screws 15
- Place the two slats against the rear wall.
- The pre-drilled holes are located at the top. Use the screws to loosely mount the brackets. The brackets hold the glass pane in position. If the holes are not visible, the baffle plate must be removed first.

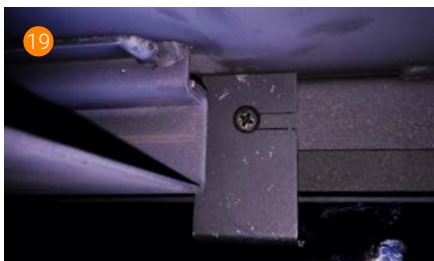


Appendix 7 CONTINUED

- Place the suction cup centrally on the glass pane. **16**
- Push the black glass pane into the rebate at the top **17**.
Now allow the glass pane to gently slide down into the bottom rebate. **18**
- Tighten the screws in the brackets to secure the black glass pane in position. **19** **20**
- Reposition the grate. **21**
- Assemble the side using the same procedure as for the rear.

NOTICE

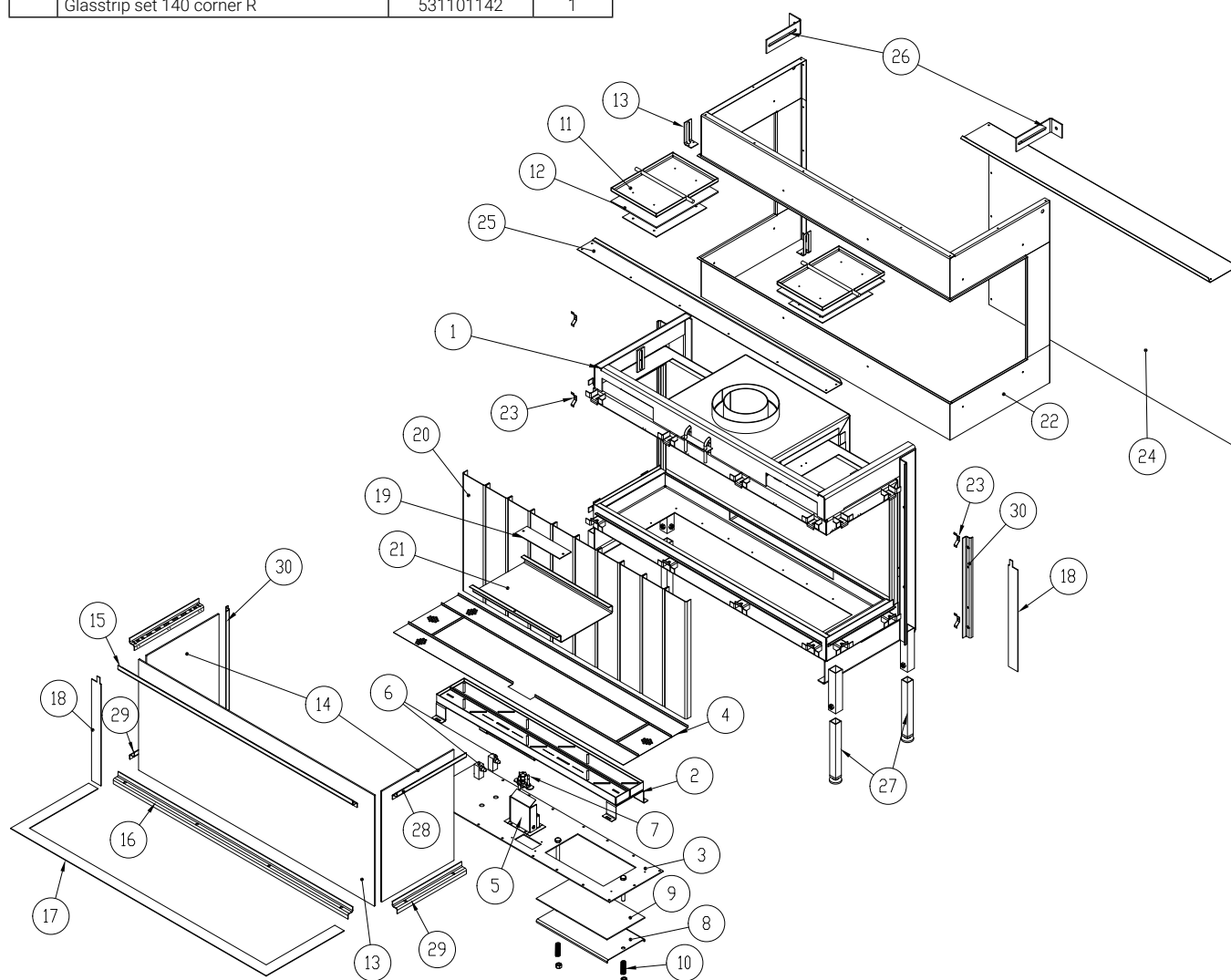
The glass pane is not retained in the rebate at the top and may tip.



Appendix 8 EXPLODED VIEW AND SPARE PARTS

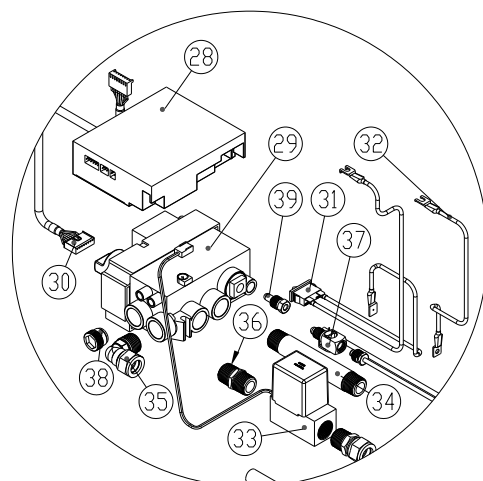
No	Description	Artikel Number	Quantity
1	Combustion chamber	x	1
2	Burner	on request	1
3	Bottomplate burnertray	x	1
4	Decoration plate	x	1
5	Pilot bracket	x	1
6	Injector bracket	x	1
7	Pilot burner	642200432	1
8	Pressure hatch plate	x	1
9	Seal pressue hatch plate 3mm	x	1
10	Pressure hatch spring	x	1
11	Top Pressure hatch plate	x	1
12	Top Seal pressue hatch plate 5mm	x	1
13	Glass panel front 100 panoramic	421410110410	1
	Glass panel front 100 corner	421410050410	1
	Glass panel front 120 panoramic	421412110411	1
	Glass panel front 120 corner	421412050411	1
	Glass panel front 140 panoramic	421414110410	1
	Glass panel front 140 corner	421414050410	1
14	Glass panel side	421403100410	1 or 2
Set:	Glasstrip set 100 panoramic	531101156	1
15	Glasstrip set 100 corner L	531101157	1
16	Glasstrip set 100 corner R	531101158	1
28	Glasstrip set 120 panoramic	531101145	1
29	Glasstrip set 120 corner L	531101146	1
30	Glasstrip set 120 corner R	531101147	1
	Glasstrip set 140 panoramic	531101140	1
	Glasstrip set 140 corner L	531101141	1
	Glasstrip set 140 corner R	531101142	1

No	Description	Artikel Number	Quantity
Set:	Flat decostrip set 100 panoramic	531201156	1
15	Flat decostrip set 100 corner L	531201157	1
16	Flat decostrip set 100 corner R	531201158	1
17	Flat decostrip set 120 panoramic	531201145	1
28	Flat decostrip set 120 corner L	531201146	1
29	Flat decostrip set 120 corner R	531201147	1
30	Flat decostrip set 140 panoramic	531201140	1
	Flat decostrip set 140 corner L	531201141	1
	Flat decostrip set 140 corner R	531201142	1
19	Restrictor plate	x	1
20	Interior back panel/label	x	1
21	Baffle plate	x	1
22	Convection mantle front/side	x	1
23	Spring glass block	x	2 or 4
24	Convection mantle back	x	1
25	Convection mantle top	x	1
26	Wall bracket	x	1
27	Adjustable feet	x	1
	Convection grill	117042000150	1
	Glass panel seal 8 x 2mm self adh	721000118	per m
	Spray paint senotherm 12-1644-702310 400ml 5	562001160	1

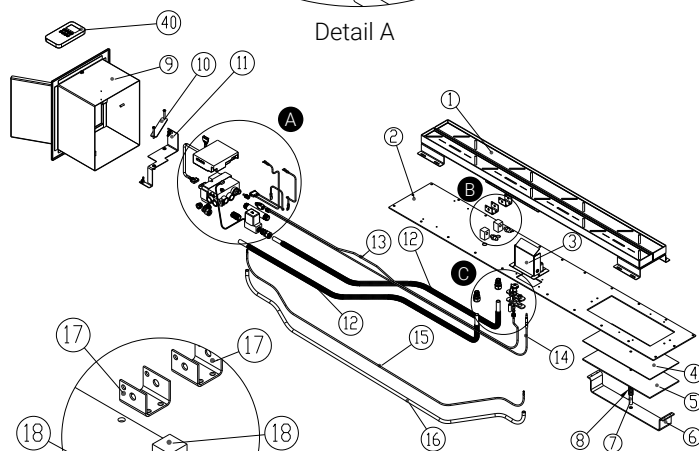


Appendix 8 CONTINUED

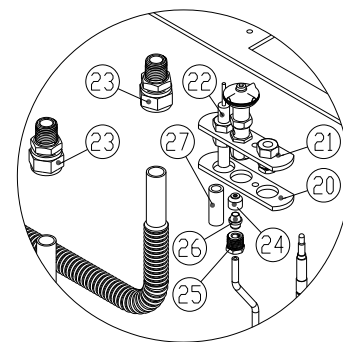
No	Description	Artikel Number	Quantity
1	Burner	x	1
2	Bottomplate burnertray	x	1
3	Pilotflame protection mesh	x	1
4	Seal pressure hatch	x	1
5	Pressure hatch	x	1
6	Pressure hatch bracket	x	1
7	Pressure hatch pin	x	1
8	Pressure hatch spring	x	1
9	Gascassette I-Frame	123010132001	1
10	Gasvalve holder	x	1
11	Gasvalve bracket	x	1
12	Gastube flex burner 2x 12mm/L1500mm	601000820	2
13	Pilot flame gasline 4mm alu	601000747	1
14	Thermocouple L1200mm SB fires	642200912	1
	Thermocouple L1500mm DB fires	642200915	1
15	Ignition cable L1200mm 2,8x0,5-dia 2,3 for 642200884	621002037	1
	Ignition cable L1500mm 2,8x0,5-dia 2,3 for 642200884	621002043	1
	Ignition cable L1200mm 2,8x0,5- dia 4mm for 642200760	621002031	1
16	Ignition cable sleeve	x	1
17	Primary air bracket	see gas sets	2
18	Injector holder	x	2
19	Main injector	see gas sets	2
20	Pilotburner gasket	tti	1
21	Pilotburner	642200432	1
22	Igniter M4 connection	642200760	1
	Igniter dia 2,3mm connection	642200884	1
23	Compression coupling 1/4"x12mm	x	2
24	Pilot injector no 51 SIT G20/25	641800686	1
	Pilot injector no 30 SIT G30/31	641800272	1
25	Nut 4mm pilotinjector	642400229	1
26	Olive 4mm pilotinjector	642000060	1
27	Igniter insulation sleeve	x	1
28	GV60 receiver G6R	641204001	1
	GV60 receiver B6R ECOMAX	641204002	1
	GV60 receiver B6R ECOMAX/WiFi ready	641204003	1
29	GV60 gasvalve	641200327	1
30	GV60 multicable 8x	629900027	1
31	GV60 cable 500mm switch	621000150	1
32	GV60 cable 500mm	621000151	1
33	GV60 DB solenoid	641200329	1
34	Gasconnection entrance	x	1
35	Compression knee 3/8"x12mm	x	1
36	GV60 solenoid adapter	x	1
37	GV60 M9x1 thermocouple interrupter	642200224	1
38	GV30/60 plug 3/8"	x	1
39	GV60 olive/nut 4mm	642400278	1
40	GV60 remote control G6R thermostat	641200979	1
	GV60 remote control G6R thermostat+AUX(DB)	641200980	1
	GV60 remote control B6R ECOMAX	641200982	1
	GV60 remote control B6R ECOMAX/WiFi ready	641200984	1
	GV60 WiFi box Mertik	641200601	1
	GV60 WiFi box cable Mertik	641200602	1
	GV60 Poweradapter 6VDC	641200190	1



Detail A



Detail B



Detail C